

BERTONE

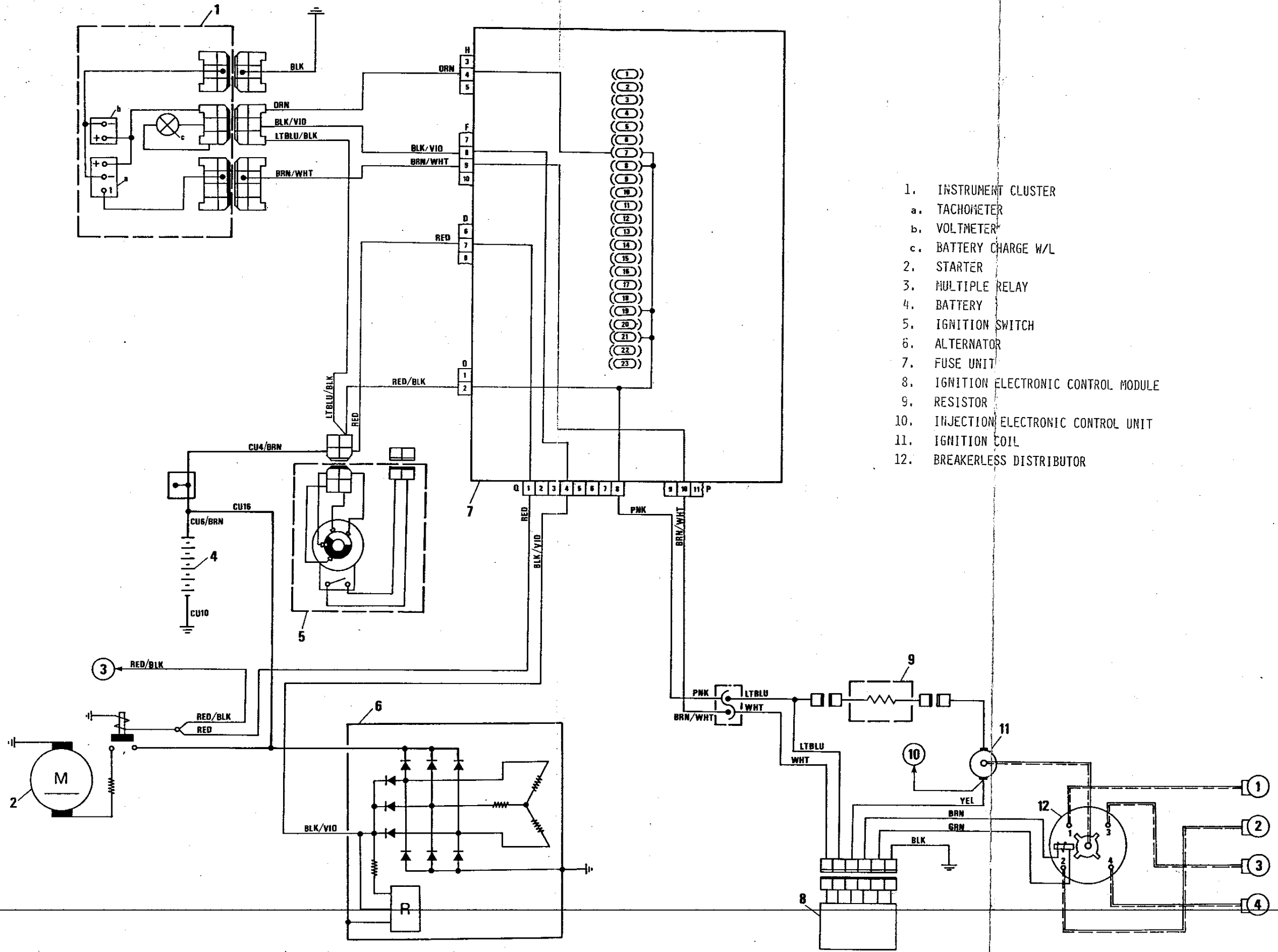
Wiring Diagrams



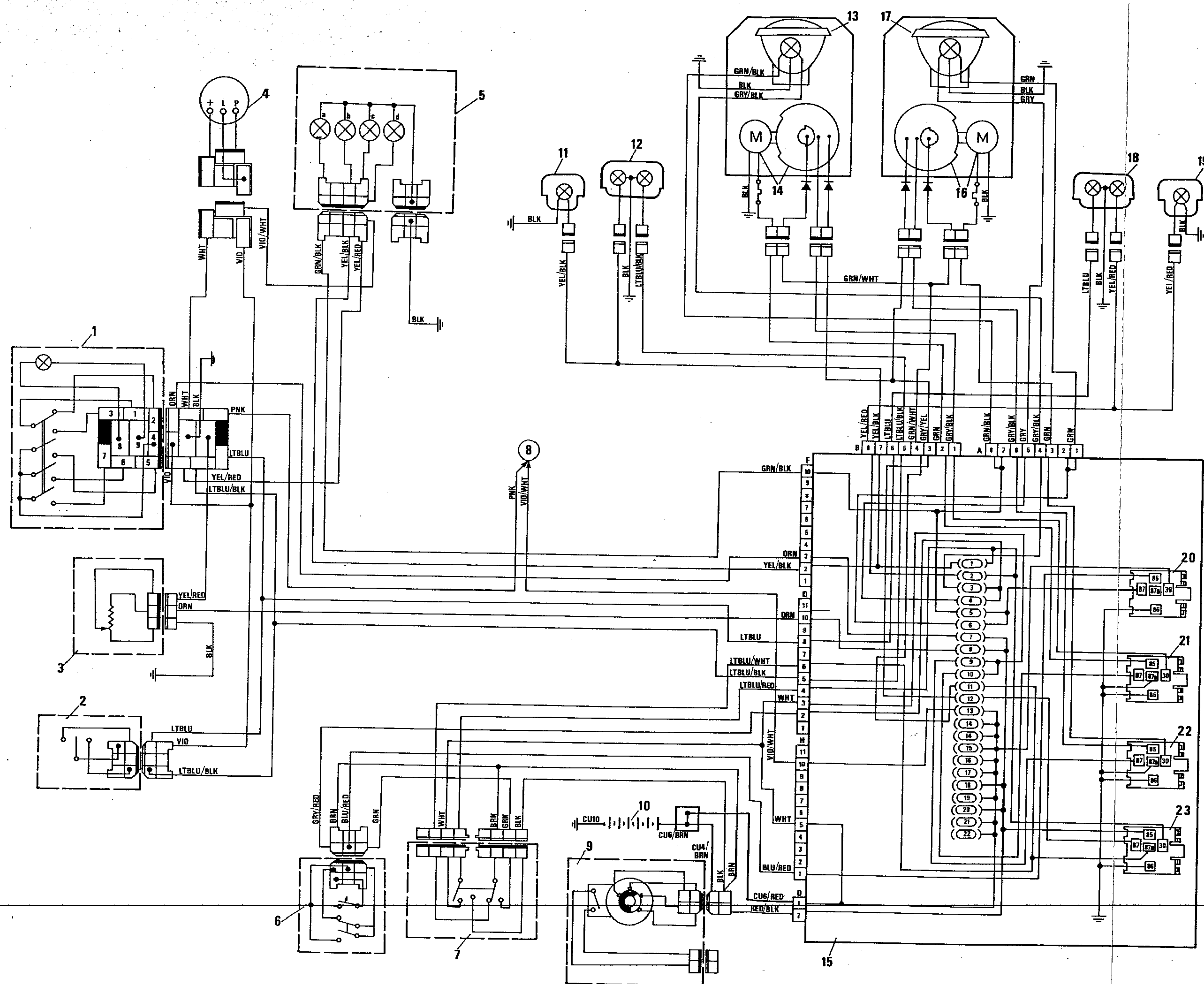
TABLE OF CONTENTS

Circuits

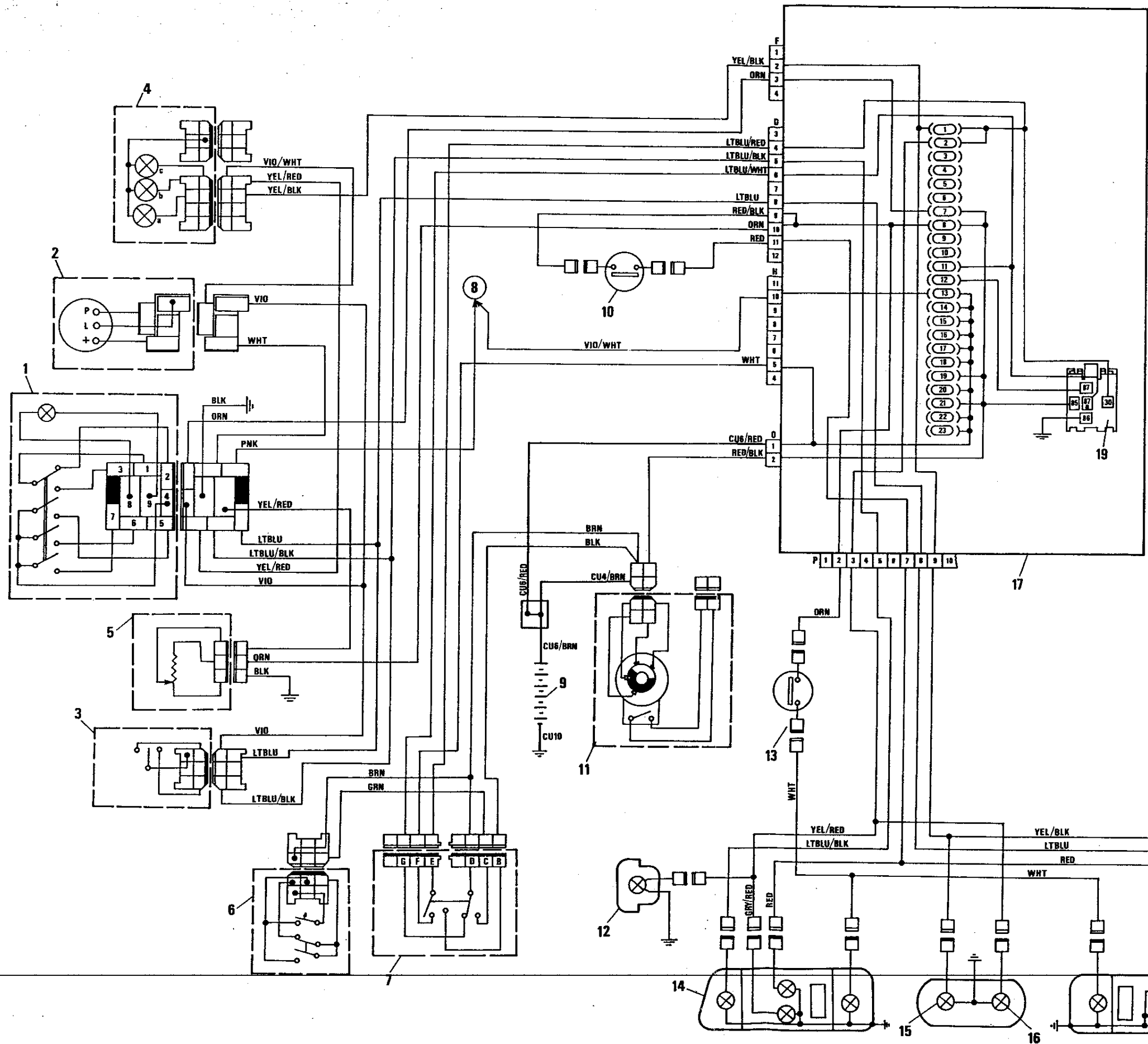
	Sheet
Starting - Ignition - Recharge	1
Front lighting	2
Rear lighting	3
Internal lighting, seat belt, handbrake and brake fluid level switch.....	4
Instrument cluster	5
Horns, rear window defogger.....	6
Fuel injection.....	7
Engine cooling	8
Fuel level.....	9
Windshield, wiper/washer	10
Power windows.....	11
Heater	12
Air conditioner	13
Electrical supply and system	14
Component and relay identification.....	15



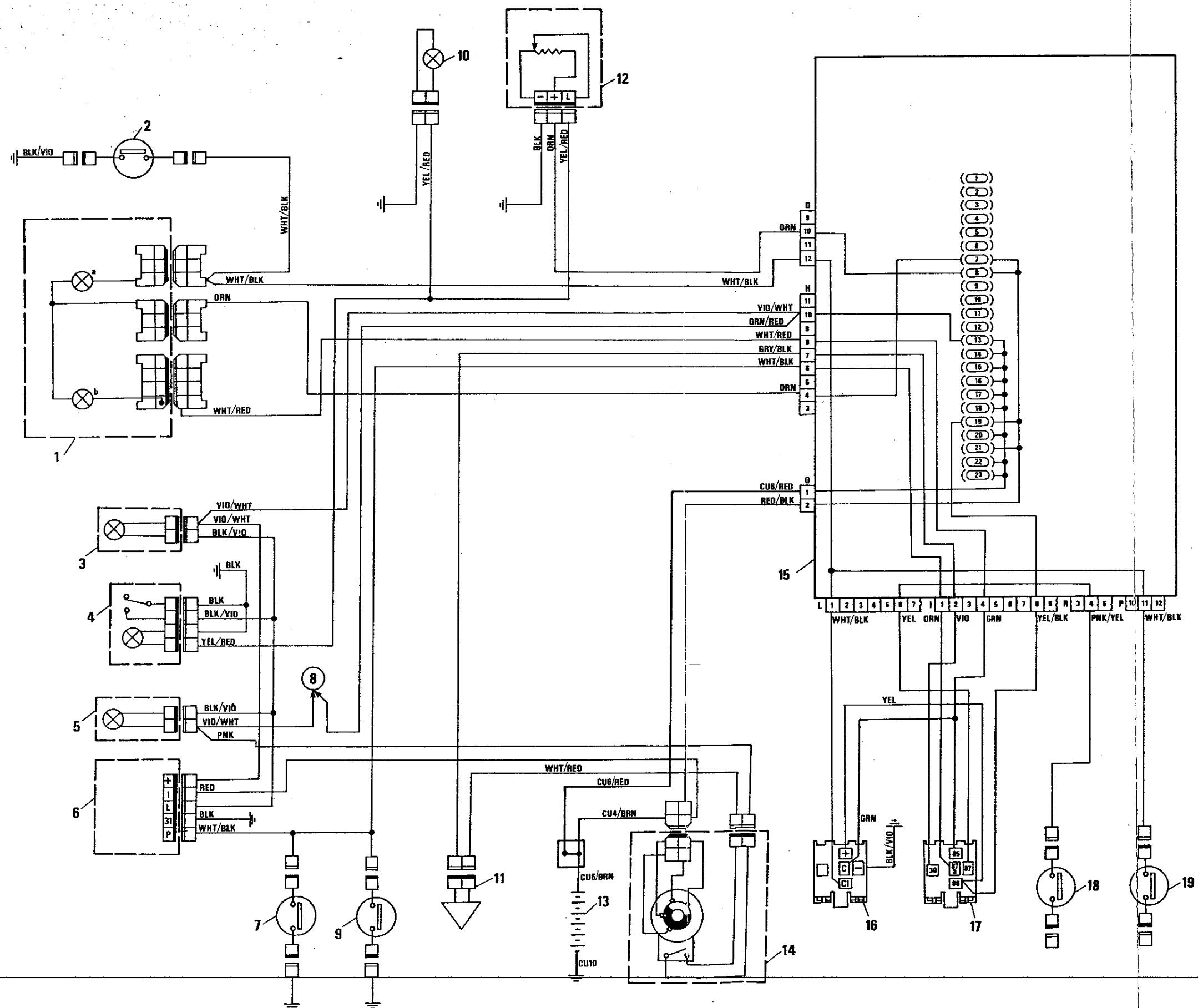
- 1. INSTRUMENT CLUSTER
 - a. TACHOMETER
 - b. VOLTMETER
 - c. BATTERY CHARGE W/L
- 2. STARTER
- 3. MULTIPLE RELAY
- 4. BATTERY
- 5. IGNITION SWITCH
- 6. ALTERNATOR
- 7. FUSE UNIT
- 8. IGNITION ELECTRONIC CONTROL MODULE
- 9. RESISTOR
- 10. INJECTION ELECTRONIC CONTROL UNIT
- 11. IGNITION COIL
- 12. BREAKERLESS DISTRIBUTOR



1. HAZARD SWITCH
2. COMBINATION SWITCH: TURN SWITCH
3. PANEL LIGHT RHEOSTAT
4. TURN-HAZARD INTERMITTENCE
5. INSTRUMENT CLUSTER
 - a. HI-BEAM W/L
 - b. PARK LIGHT W/L
 - c. HAZARD LIGHT W/L
 - d. TURN LIGHT W/L
6. COMBINATION SWITCH: HI-LO BEAM SWITCH
7. LIGHT SWITCH
8. INTERNAL LIGHT
9. IGNITION SWITCH
10. BATTERY
11. LH. FRONT MARKER LIGHT
12. LH. FRONT TURN-PARK LIGHT
13. LH. COVER HEADLIGHT (HI-LO BEAM)
14. LH. COVER HEADLIGHT MOTOR
15. FUSE UNIT
16. RH. COVER HEADLIGHT MOTOR
17. RH. COVER HEADLIGHT (HI-LO BEAM)
18. RH. FRONT TURN-PARK LIGHT
19. RH. FRONT MARKER LIGHT
20. HI-LO BEAM RELAY
21. LH. COVER HEADLIGHT MOTOR DIVERTER RELAY
22. RH. COVER HEADLIGHT MOTOR DIVERTER RELAY
23. LIGHTING-HEADLIGHT RAISE DIVERTER RELAY

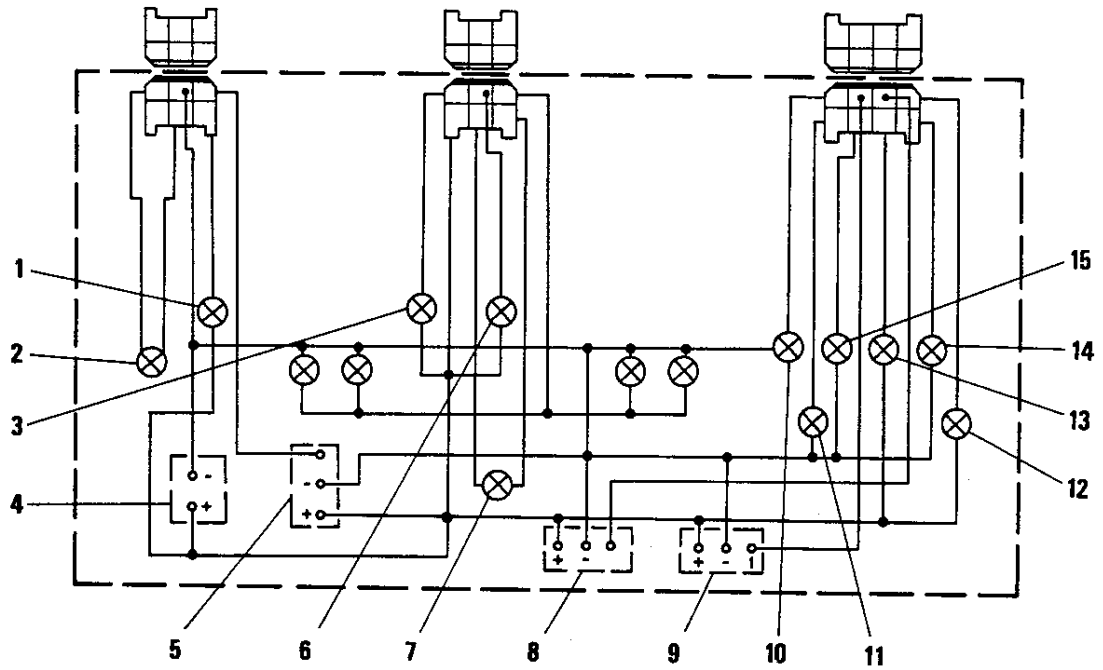


1. HAZARD SWITCH
2. TURN-HAZARD INTERMITTENCE
3. COMBINATION SWITCH: TURN LIGHT SWITCH
 - a. PARK LIGHT W/L
 - b. HAZARD LIGHT W/L
 - c. TURN LIGHT W/L
4. INSTRUMENT CLUSTER
5. PANEL LIGHT RHEOSTAT
6. COMBINATION SWITCH: HI-LO BEAM SWITCH
7. LIGHT SWITCH
8. INTERNAL LIGHT
9. BATTERY
10. STOP LIGHT SWITCH
11. IGNITION SWITCH
12. LH. REAR MARKER LIGHT
13. REVERSING LIGHT SWITCH
14. LH. REAR LIGHT UNIT
15. LH. NUMBER PLATE LIGHT
16. RH. NUMBER PLATE LIGHT
17. FUSE UNIT
18. RH. REAR LIGHT UNIT
19. LIGHTING-HEADLIGHT RAISE DIVERTER RELAY
20. RH. REAR MARKER LIGHT

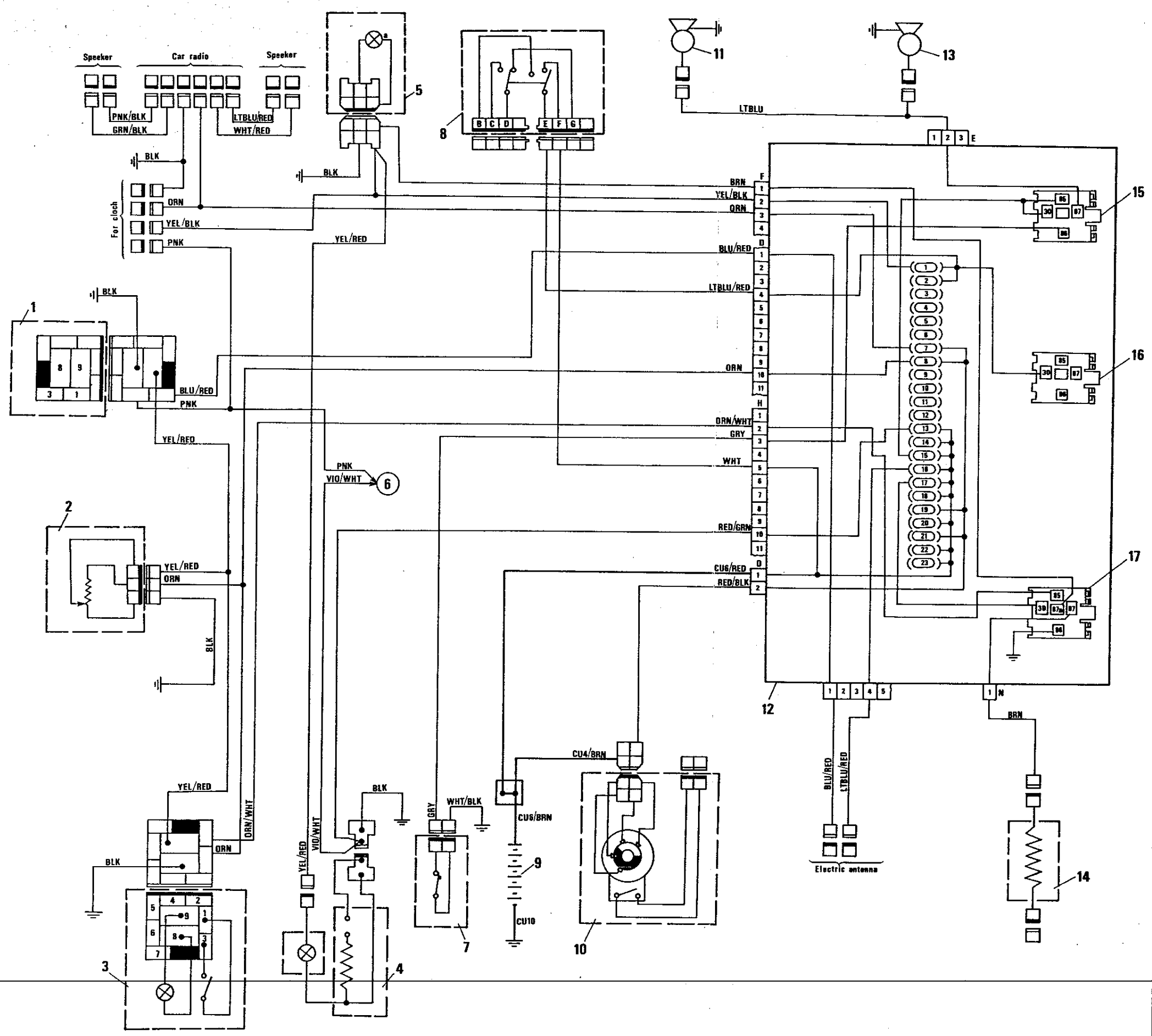


1. INSTRUMENT CLUSTER
- a. HANDBRAKE AND BRAKE FLUID LEVEL W/L
- b. SEATBELT W/L
2. LOW BRAKE FLUID LEVEL SWITCH
3. LH. INTERNAL LIGHT
4. INTERNAL LIGHTS CONTROL SWITCH
5. RH. INTERNAL LIGHT
6. COURTESY LIGHT TIMER
7. INTERNAL LIGHT LEFT DOOR SWITCH
8. CIGAR LIGHTER
9. INTERNAL LIGHT RIGHT DOOR SWITCH
10. PANEL LIGHT OPTICAL FIBER LAMP
11. SEATBELT AND KEY-IN BUZZER
12. PANEL LIGHT RHEOSTAT
13. BATTERY
14. IGNITION SWITCH
15. FUSE UNIT
16. SEATBELT TIMER
17. SEATBELT RELAY
18. LH. SEATBELT SWITCH
19. HANDBRAKE SWITCH

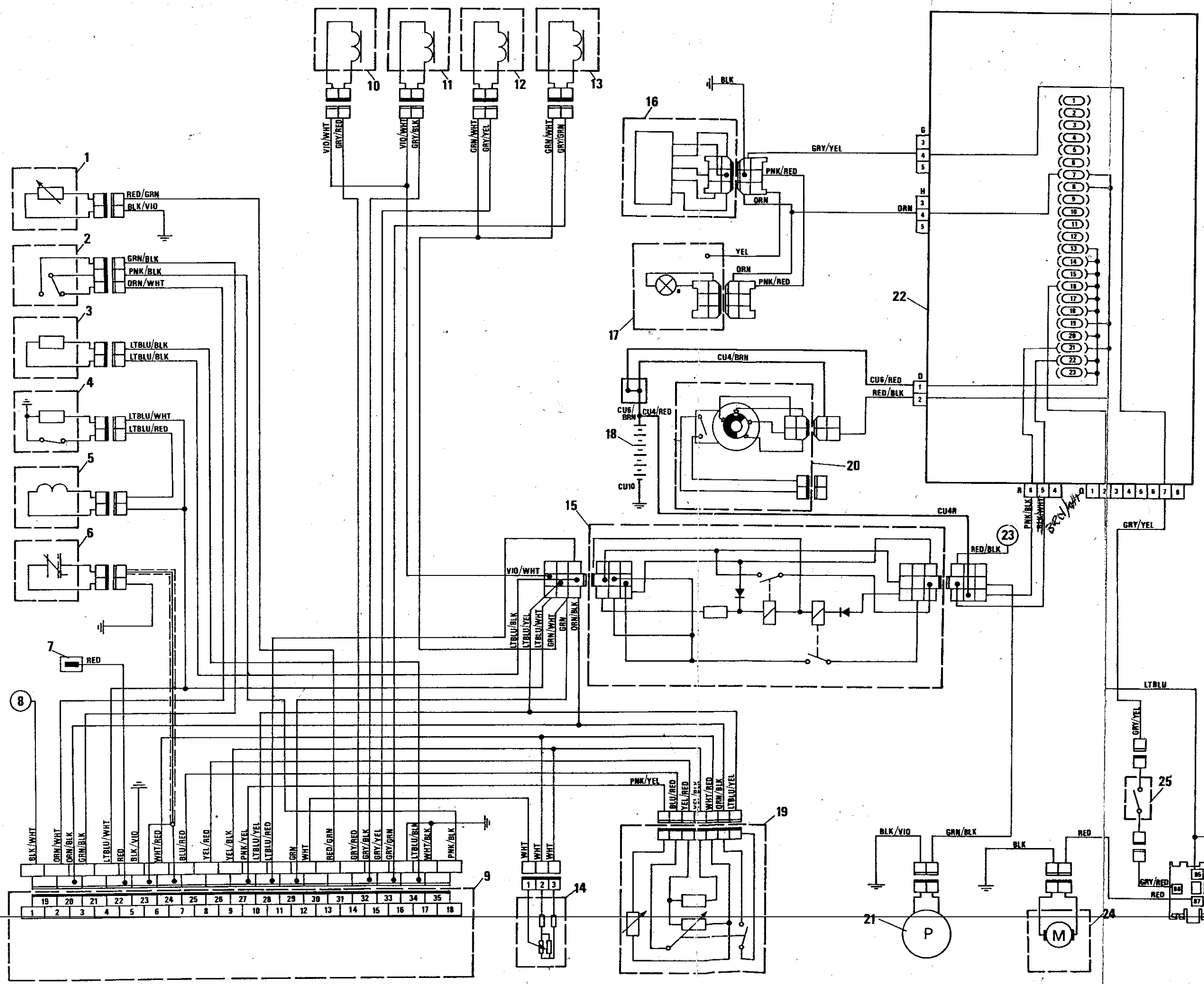
5 - INSTRUMENT CLUSTER



- | | |
|---|----------------------|
| 1. HAND BRAKE AND BRAKE FLUID LEVEL W/L | 9. TACHOMETER |
| 2. REAR WINDOW DEFOGGER W/L | 10. TURN LIGHT W/L |
| 3. 30,000 M W/L | 11. HAZARD LIGHT W/L |
| 4. VOLTMETER | 12. SEATBELT W/L |
| 5. COOLANT TEMPERATURE GAUGE | 13. FUEL RESERVE W/L |
| 6. OIL PRESSURE W/L | 14. HI-BEAM W/L |
| 7. BATTERY CHARGE W/L | 15. PARK LIGHT W/L |
| 8. FUEL LEVEL W/L | |



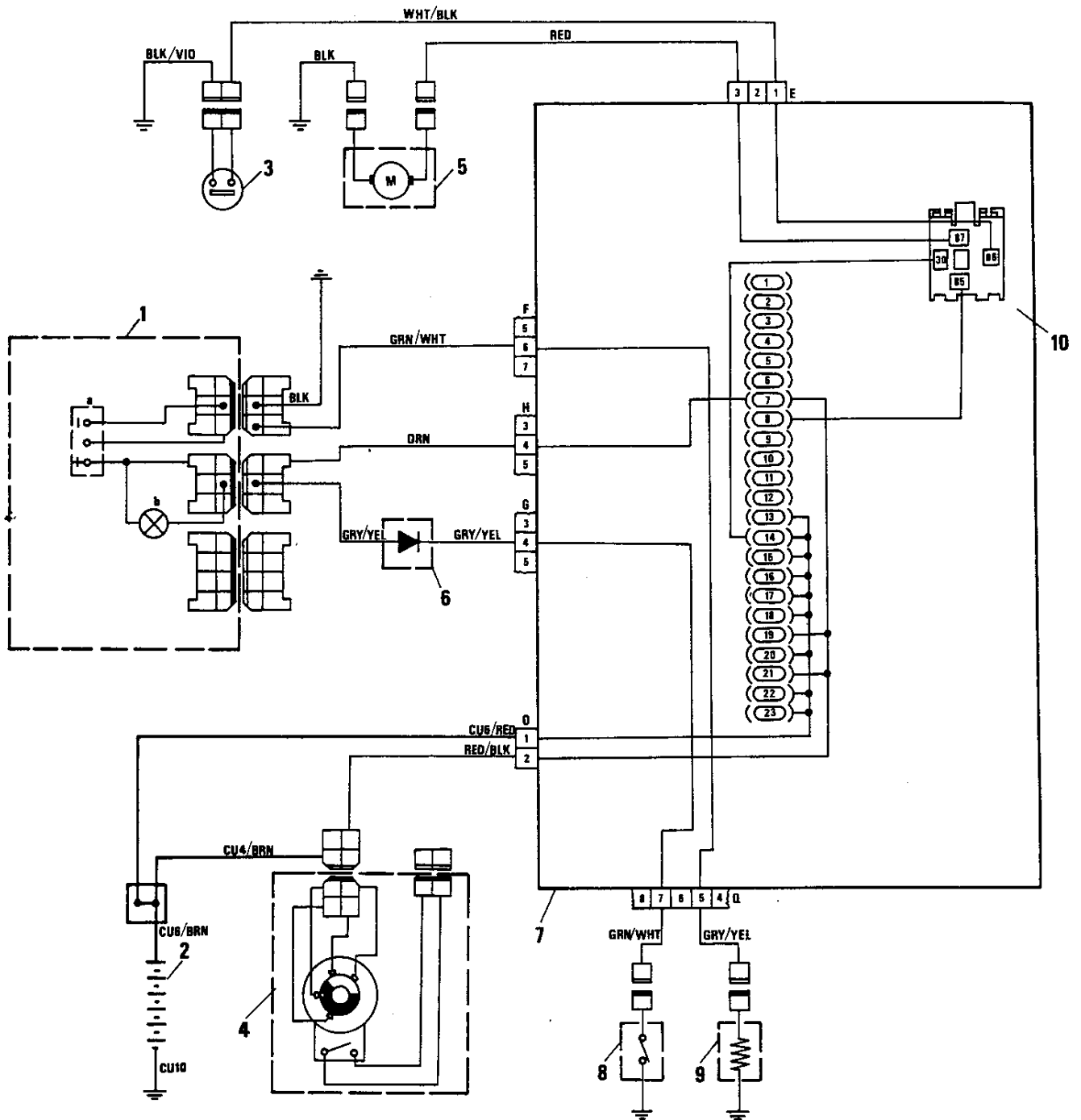
1. ELECTRIC ANTENNA SWITCH
2. PANEL LIGHT RHEOSTAT
3. REAR WINDOW DEFOGGER SWITCH
4. CIGAR LIGHTER
5. CLUSTER INSTRUMENT
- a. REAR WINDOW DEFOGGER W/L
6. SIDE INTERNAL LIGHT
7. HORN SWITCH
8. LIGHT SWITCH
9. BATTERY
10. IGNITION SWITCH
11. LEFT HORN
12. FUSE UNIT
13. RIGHT HORN
14. REAR WINDOW DEFOGGER
15. HORN RELAY
16. LIGHTING-HEADLIGHT RAISE DIVERTER RELAY
17. REAR WINDOW DEFOGGER RELAY



1. COOLANT TEMPERATURE SENSOR
2. THROTTLE SWITCH
3. AUXILIARY AIR SOLENOID VALVE
4. THERMO TIME SWITCH
5. COLD START INJECTOR
6. LAMBDA SENSOR
7. INTEGRATOR SENSOR
8. IGNITION COIL
9. INJECTION ELECTRONIC CONTROL UNIT
10. INJECTOR
11. INJECTOR
12. INJECTOR
13. INJECTOR
14. FREE CONNECTOR
15. MULTIPLE RELAY
16. 30.000 M/W/L SENSOR
17. INSTRUMENT CLUSTER
- a. 30.000 M/W/L
18. BATTERY
19. AIR FLOW SENSOR
20. IGNITION SWITCH
21. FUEL PUMP
22. FUSE UNIT
23. STARTER
24. INJECTOR COOLING PASS
25. THERMOMETRIC SWITCH FOR SWITCHING ON INJECTOR COOLING
26. INJECTOR COOLING FAN CONTROL RELAY

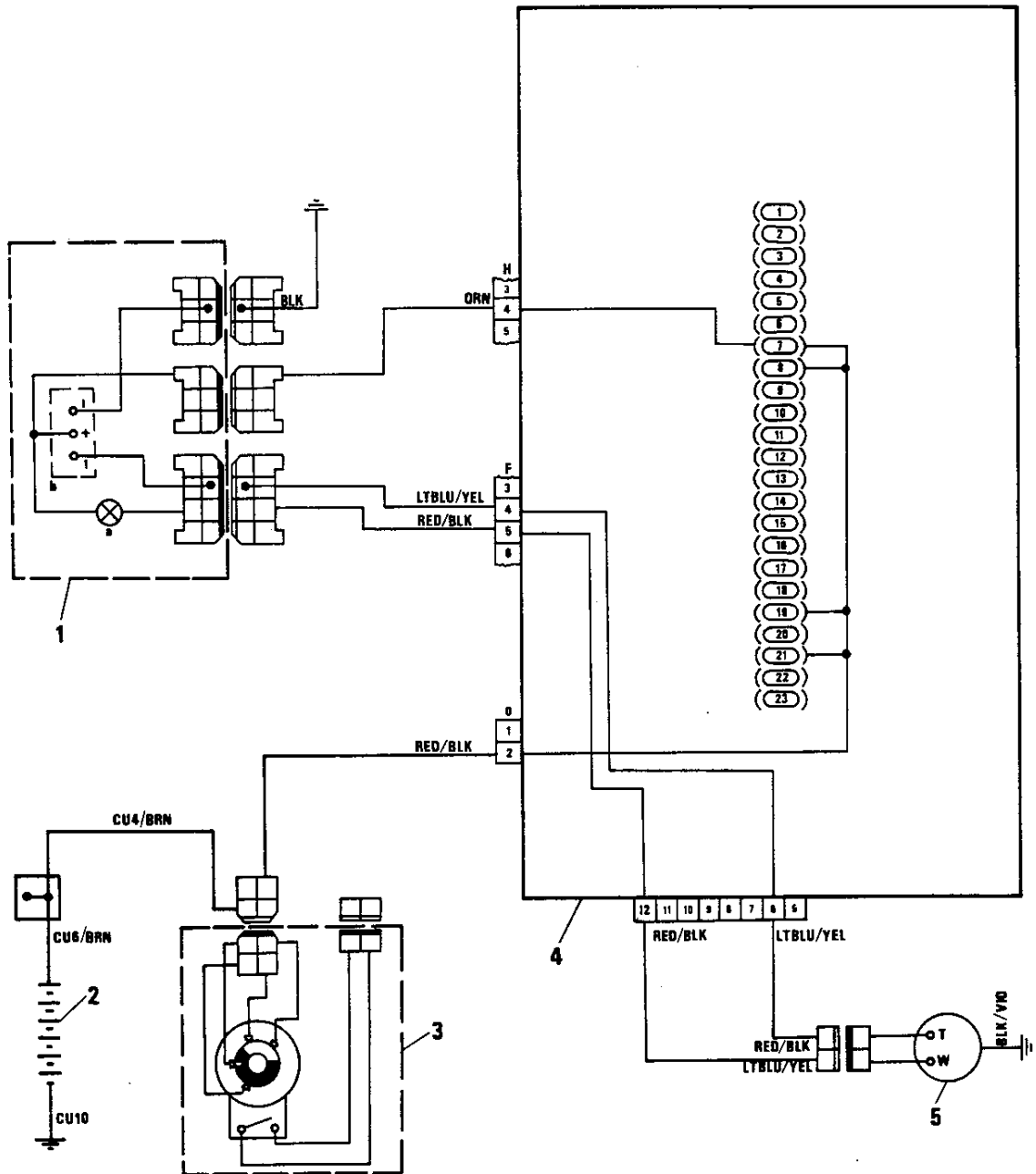
BERTONE

8 - ENGINE COOLING ASSY



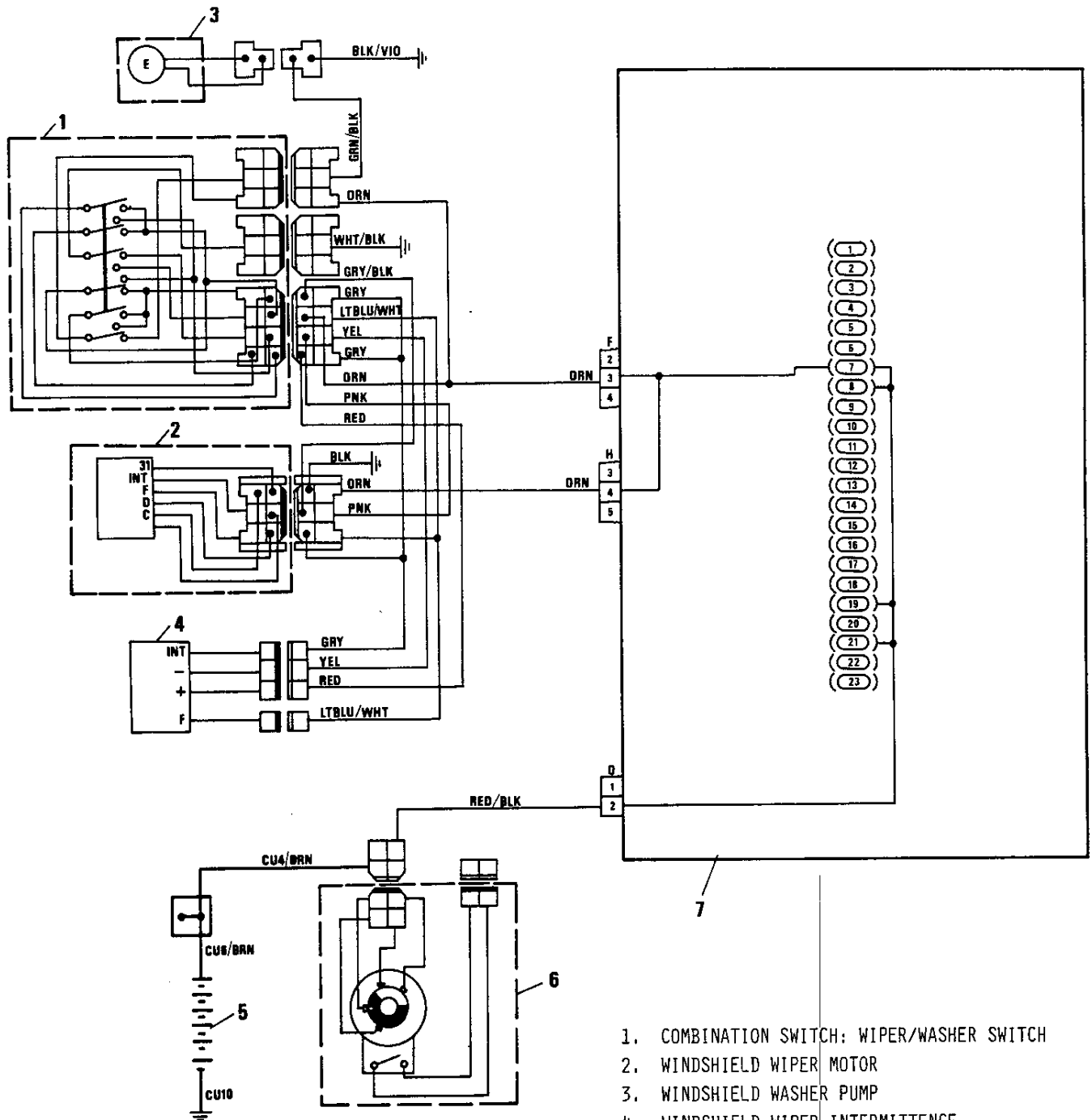
- | | |
|-------------------------------------|------------------------------------|
| 1. INSTRUMENT CLUSTER | 5. ENGINE FAN |
| a. COOLANT TEMPERATURE GAUGE | 6. DIODE |
| b. OIL PRESSURE W/L | 7. FUSE UNIT |
| 2. BATTERY | 8. OIL PRESSURE SWITCH |
| 3. RADIATOR FAN THERMOSTATIC SWITCH | 9. COOLANT TEMPERATURE TRANSMITTER |
| 4. IGNITION COIL
<i>Switch</i> | 10. ENGINE FAN RELAY |

9 - FUEL LEVEL ASSY



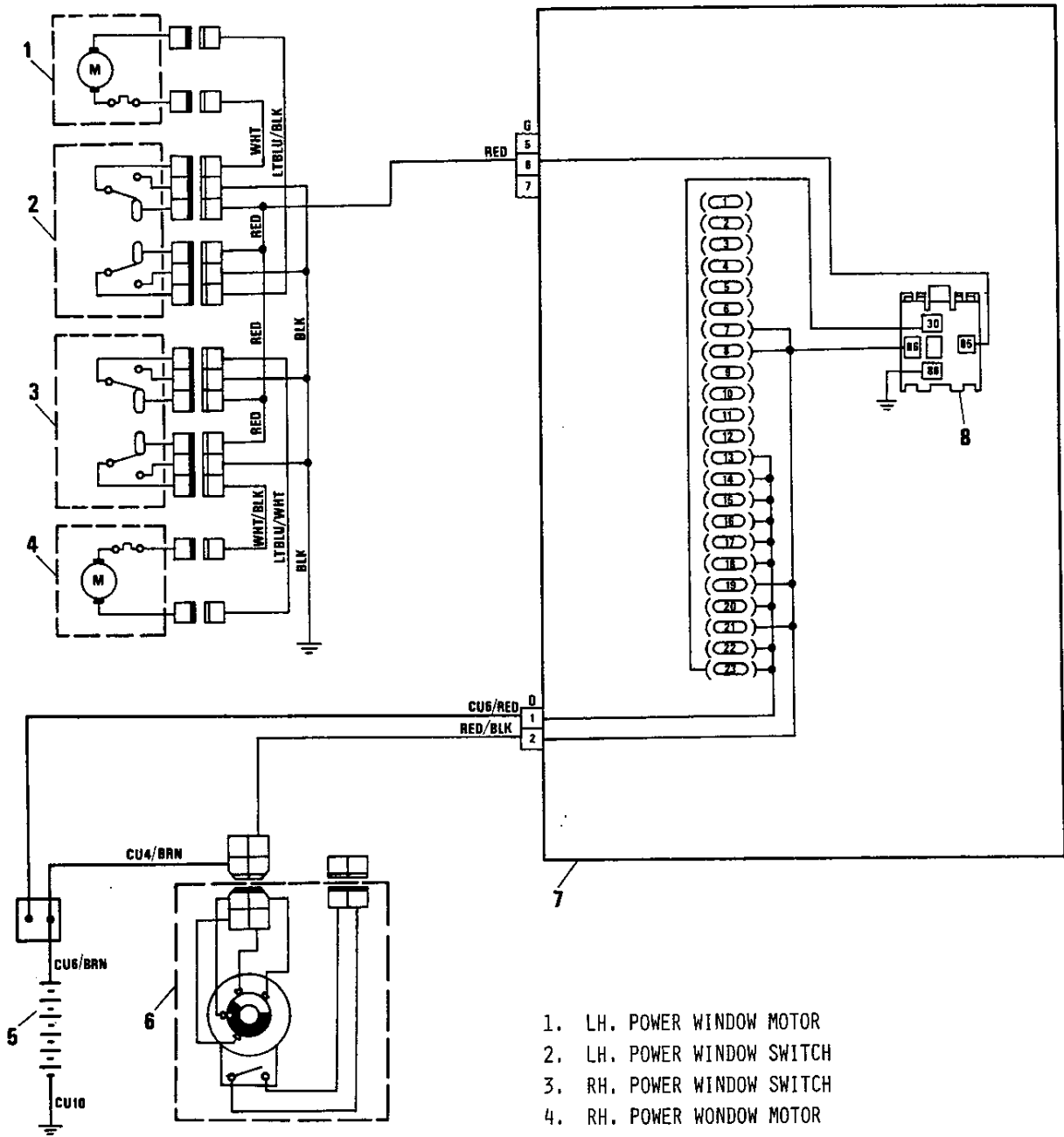
1. INSTRUMENT CLUSTER
 - a. FUEL RESERVE W/L
 - b. FUEL LEVEL GAUGE
2. BATTERY
3. IGNITION SWITCH
4. FUSE UNIT
5. FUEL LEVEL TRANSMITTER

10 - WINDSHIELD WIPER/WASHER ASSY



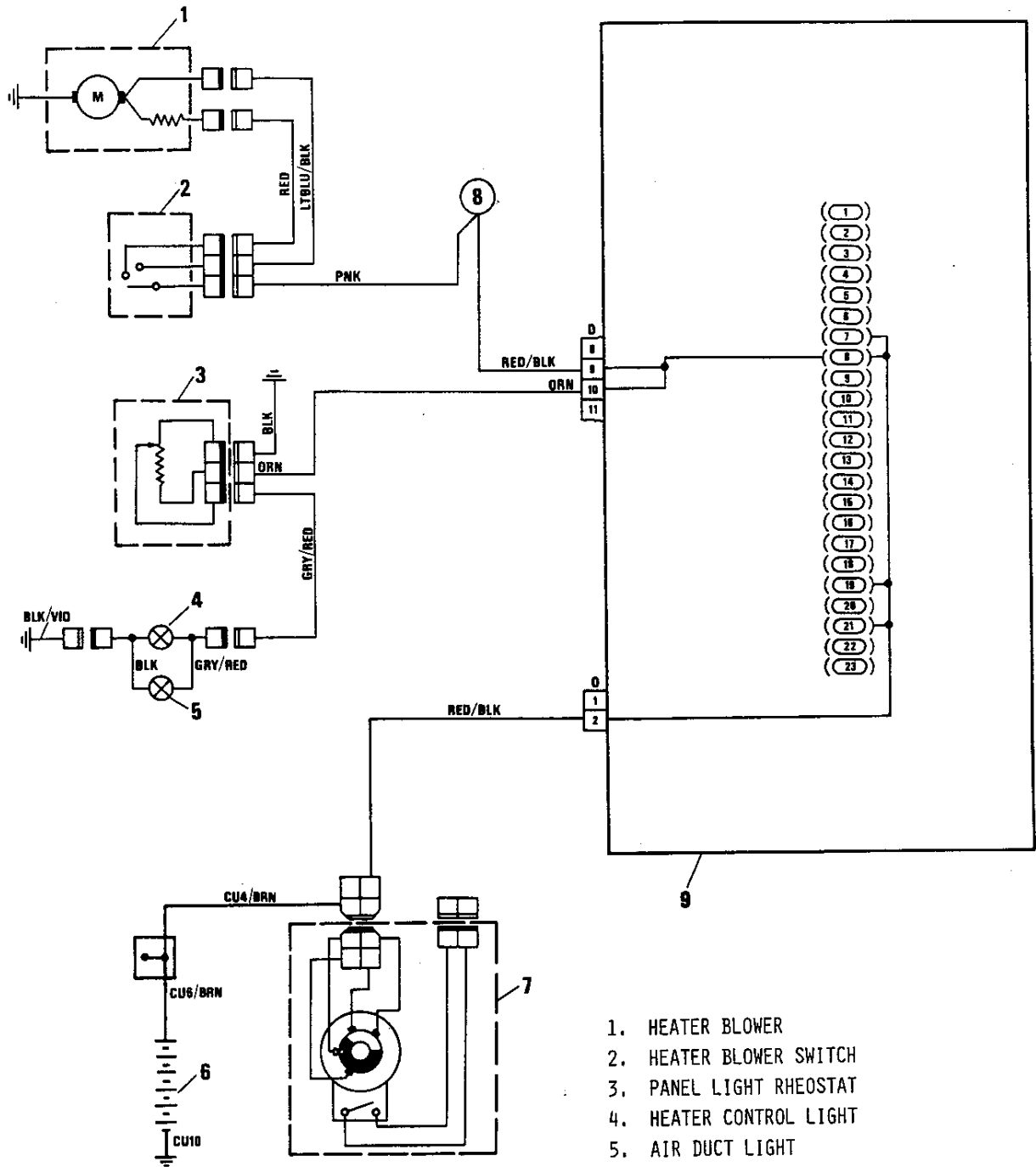
1. COMBINATION SWITCH; WIPER/WASHER SWITCH
2. WINDSHIELD WIPER MOTOR
3. WINDSHIELD WASHER PUMP
4. WINDSHIELD WIPER INTERMITTENCE
5. BATTERY
6. IGNITION SWITCH
7. FUSE UNIT

11 - POWER WINDOWS ASSY

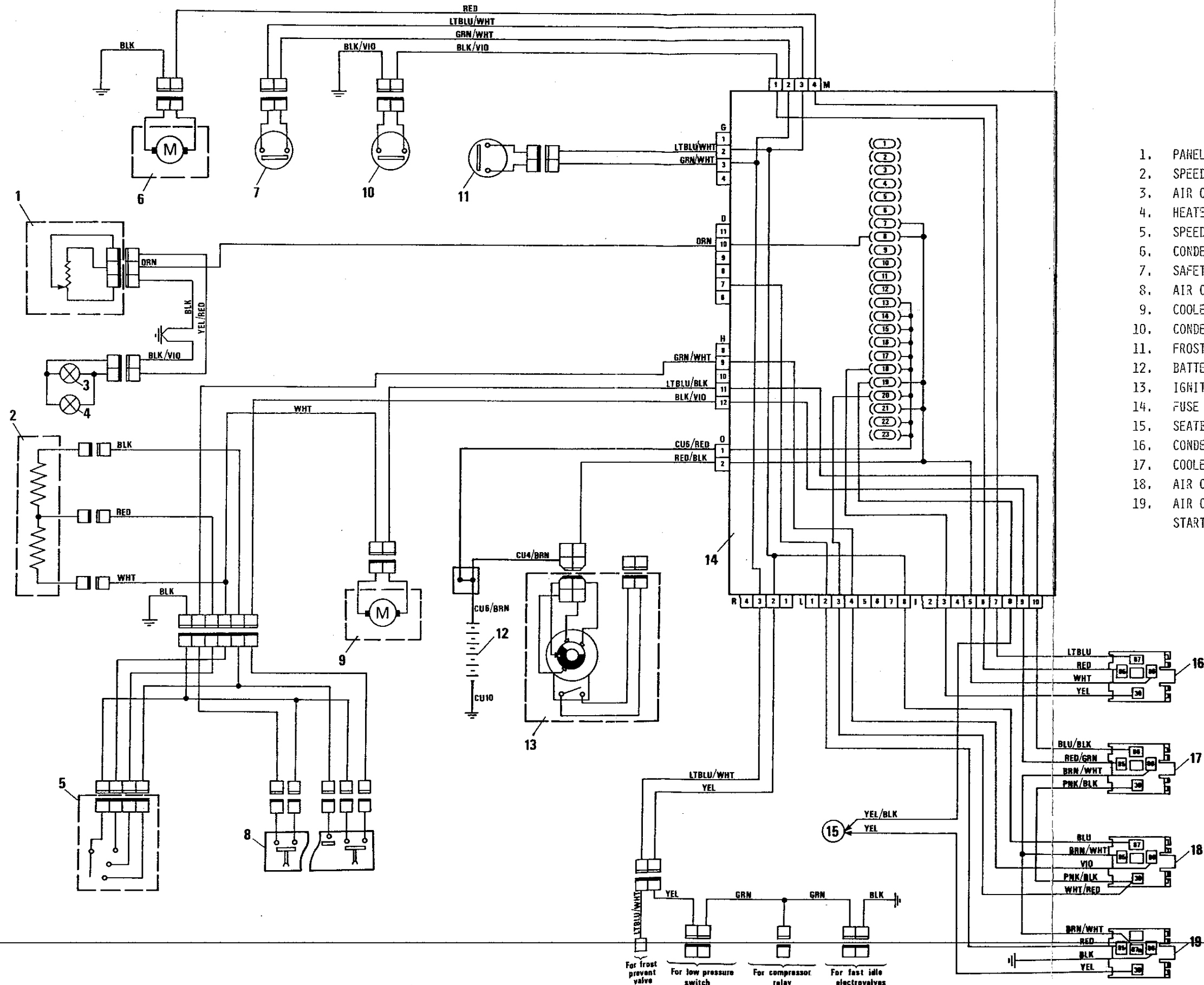


1. LH. POWER WINDOW MOTOR
2. LH. POWER WINDOW SWITCH
3. RH. POWER WINDOW SWITCH
4. RH. POWER WINDOW MOTOR
5. BATTERY
6. IGNITION SWITCH
7. FUSE UNIT
8. POWER WINDOW RELAY

12 - HEATER ASSY

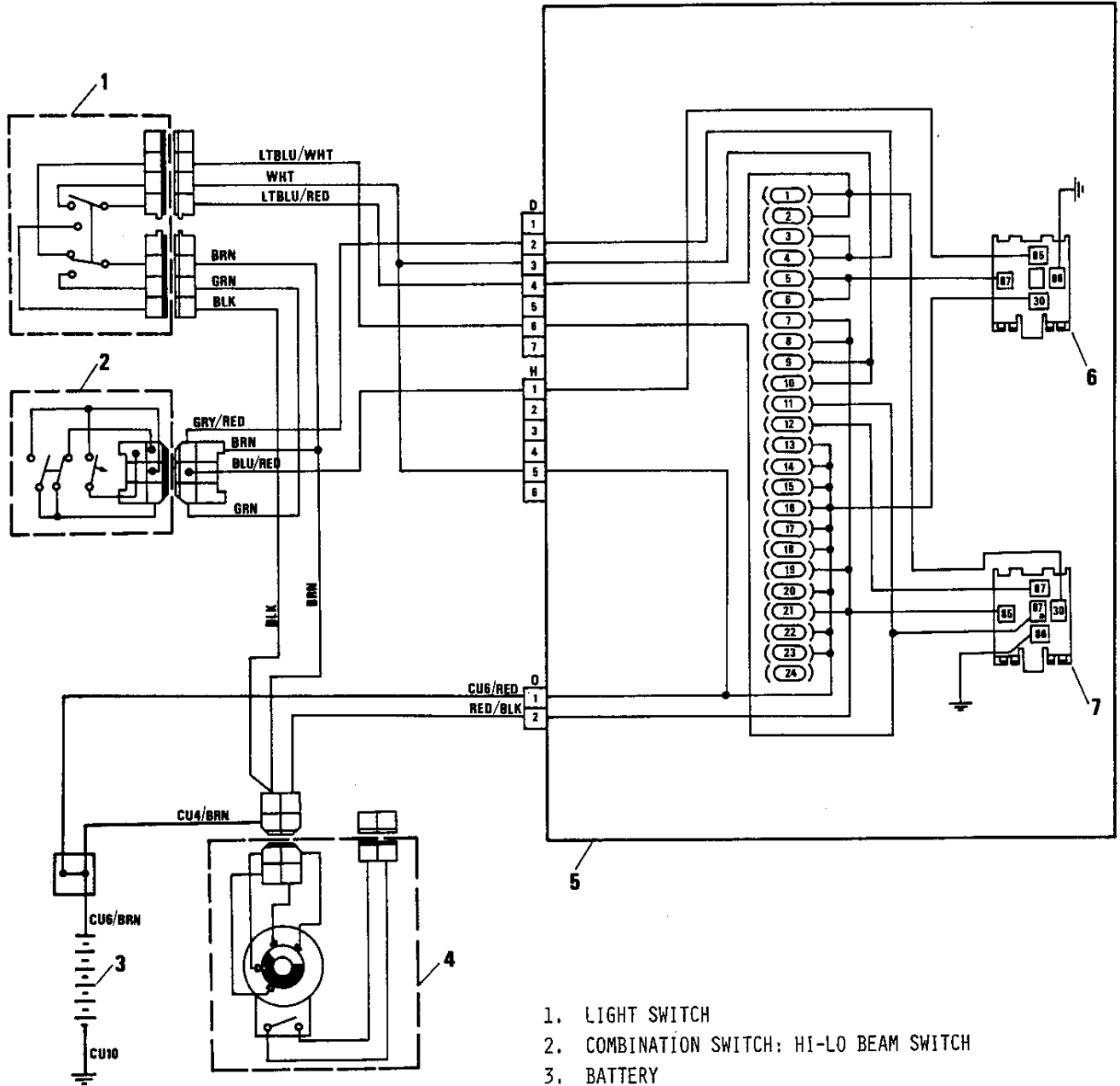


1. HEATER BLOWER
2. HEATER BLOWER SWITCH
3. PANEL LIGHT RHEOSTAT
4. HEATER CONTROL LIGHT
5. AIR DUCT LIGHT
6. BATTERY
7. IGNITION COIL
8. STOP LIGHT SWITCH
9. FUSE UNIT



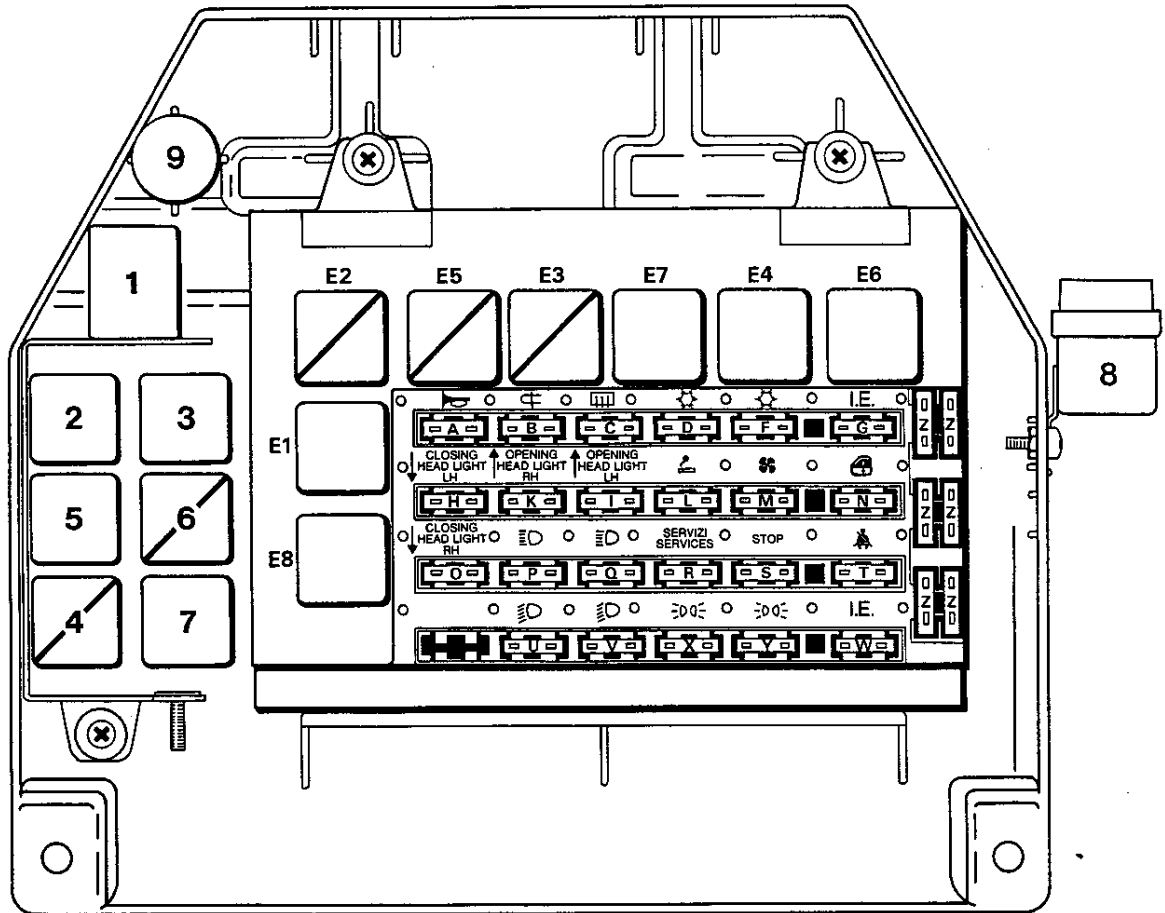
1. PANEL LIGHT RHEOSTAT
2. SPEED COOLER ADJUSTING RESISTOR
3. AIR CONDITIONER CONTROL LIGHT
4. HEATER CONTROL LIGHT
5. SPEED COOLER ADJUSTING SWITCH
6. CONDENSER FAN MOTOR
7. SAFETY THERMOSWITCH
8. AIR CONDITIONER CONTROLS
9. COOLER
10. CONDENSER FAN THERMOSWITCH
11. FROST PREVENT SWITCH
12. BATTERY
13. IGNITION SWITCH
14. FUSE UNIT
15. SEATBELT RELAY
16. CONDENSER FAN RELAY
17. COOLER RELAY
18. AIR CONDITIONER RELAY
19. AIR CONDITIONER CUT-OUT RELAY (ON STARTING)

14 - ELECTRICAL SUPPLY AND SYSTEM ASSY



1. LIGHT SWITCH
2. COMBINATION SWITCH: HI-LO BEAM SWITCH
3. BATTERY
4. IGNITION COIL
5. FUSE UNIT
6. HI-LO BEAM RELAY
7. LIGHTING-HEADLIGHT RAISE DIVERTER RELAY

COMPONENT AND RELAY IDENTIFICATION



COMPONENT AND RELAY PART NUMBERS

DESCRIPTION	PART NUMBER
E 1 Radiator fan relay	4339372
E 2 Parking lights and concealed headlights control	4320627
E 3 Right head light motor relay	4320627
E 4 Headlight high beam relay	4339372
E 5 Left headlight motor relay	4320627
E 6 Power windows relay	4339372
E 7 Back window defogger relay	4339372
E 8 Horns relay	4339372
1 Courtesy light delayer	5936319
2 A/C condenser fan relay	4339372
3 A/C evaporator relay	4339372
4 Seats belts relay	4320627
5 Compressor clutch relay	4339372
6 A/C cut-off (at engine starting).....	4320627
7 Seats belts delayer	4413741
8 Wiper delay timer	4423970
9 Turn/hazard flasher	4347645

WIRING DIAGRAM
ADDENDUM

The correct letters for the wire connecting positions at the fuse panel are as follows:

Wiring Diagram
Incorrect Lettering

Fuse Panel
Lettering

Instead of:

Please read:

A
B
D
E
F
G
H
I
L
M
N
O
P
Q
R

P
C
D
Q
I
S
A
H
G
O
R
N
E
B
L

Also, there are two positions on the back of the fuse panel that are void, they are:

F and M

*Please staple this page to the back of the wiring diagram.

ADDENDUM TO SHEET 15 OF BERTONE WIRING DIAGRAMS

Listed (sheet 15) in fuse box as;	Component (circuits)	Amperage	Listed on sheets 1 thru 14 as;
Fuse A	horns	(20 A)	Fuse 15
Fuse B	after run fan & relay	(10 A)	Fuse 16
Fuse C	rear window heater	(20 A)	Fuse 17
Fuse D	A/C compressor	(25 A)	Fuse 19
Fuse F	A/C condenser fan	(25 A)	Fuse 18
Fuse G	Fuel Injection, fuel pump	(10 A)	Fuse 21
Fuse H	headlight opening relay	(7.5 A)	Fuse 12
Fuse I	left headlight motor	(7.5 A)	Fuse 10
Fuse K	right headlight motor	(7.5 A)	Fuse 9
Fuse L	lighter, clock, int. lt.	(20 A)	Fuse 13
Fuse M	engine cooling fan	(25 A)	Fuse 14
Fuse N	power windows	(25 A)	Fuse 23
Fuse O	headlight closing relay	(7.5 A)	Fuse 11
Fuse P	left high beam	(10 A)	Fuse 3
Fuse Q	right high beam	(10 A)	Fuse 4
** Fuse R	service, Instr., charging	(25 A) **	Fuse 7
Fuse S	heater fan, b/u & stop lt.	(10 A)	Fuse 8
Fuse T	A/C relay, seat belts	(7.5 A)	Fuse 20
Fuse U	right low beam	(10 A)	Fuse 6
Fuse V	left low beam	(10 A)	Fuse 5
Fuse W	double relay, F.I.	(7.5 A)	Fuse 22
Fuse X	rt. ft. & lf. rr. lights	(7.5 A)	Fuse 2
Fuse Y	lf. ft. & rt. rr. lights	(7.5 A)	Fuse 1

** Note fuse R comes with 7.5 A fuse and should be replaced with 25 A

ADDENDUM TO SHEETS 1-14 OF BERTONE WIRING DIAGRAMS

Listed on sheets 1 thru 14 as;	Component (circuits)	Amperage	Listed (sheet 15) in fuse box as;
Fuse 1	lf. ft. & rt. rr. lights	(7.5 A)	Fuse Y
Fuse 2	rt. ft. & lf. rr. lights	(7.5 A)	Fuse X
Fuse 3	left high beam	(10 A)	Fuse P
Fuse 4	right high beam	(10 A)	Fuse Q
Fuse 5	left low beam	(10 A)	Fuse V
Fuse 6	right low beam	(10 A)	Fuse U
** Fuse 7	service, Instr., charging	(25 A) **	Fuse R
Fuse 8	heater fan, b/u & stop lt.	(10 A)	Fuse S
Fuse 9	right headlight motor	(7.5 A)	Fuse K
Fuse 10	left headlight motor	(7.5 A)	Fuse I
Fuse 11	headlight closing relay	(7.5 A)	Fuse O
Fuse 12	headlight opening relay	(7.5 A)	Fuse H
Fuse 13	lighter, clock, int. lt.	(20 A)	Fuse L
Fuse 14	engine cooling fan	(25 A)	Fuse M
Fuse 15	horns	(20 A)	Fuse A
Fuse 16	after run fan & relay	(10 A)	Fuse B
Fuse 17	rear window heater	(20 A)	Fuse C
Fuse 18	A/C condenser fan	(25 A)	Fuse F
Fuse 19	A/C compressor	(25 A)	Fuse D
Fuse 20	A/C relay, seat belts	(7.5 A)	Fuse T
Fuse 21	Fuel Injection, fuel pump	(10 A)	Fuse G
Fuse 22	double relay, F.I.	(7.5 A)	Fuse W
Fuse 23	power windows	(25 A)	Fuse N

** Note fuse R comes with 7.5 A fuse and should be replaced with 25 A

WIRING DIAGRAM
APPENDIX

FUSE NUMBER	PROTECTED CIRCUITS	FUSE POSITION
1	Left front parking light; right tail light; parking lights indicator lamp; left front side marker light; right tail side marker light; license plate left light; instrument cluster light; cigarette lighter lamp; fiber optic light source; A/C or heater control panel lighting; air outlets control lighting	Y (7.5 Amps)
2	Right front parking light; left tail parking light; right front side marker light; left tail side marker light; license plate right light	X (7.5 Amps)
3	Left headlamp high beam; high beams indicator lamp	P (10 Amps)
4	Right headlamp high beam	Q (10 Amps)
5	Left headlamp low beam	V (10 Amps)
6	Right headlamp low beam	U (10 Amps)
7	Turn signal and indicator; clock; windshield wiper and washer; 30,000 miles pick-up and indicator; low oil pressure warning lamp; coolant temperature gauge; voltmeter; low brake fluid level/parking brake "on" indicator lamp; fuel gauge, fuel reserve indicator lamp; tachometer; fasten belts reminder indicator lamp; radio	R (20 Amps)
8	Heater fan; stop lights; back up lights; back window defogger relay winding	S (10 Amps)
9	Right headlight raising motor	K (7.5 Amps)
10	Left headlight raising motor	I (7.5 Amps)
11	Headlight closing control switch	O (7.5 Amps)
12	Headlight raising control switch	H (7.5 Amps)
13	Cigarette lighter; clock; hazard warning switch; fasten seat belts and remove key chime; courtesy light delayer, courtesy lights; power antenna (where fitted)	L (20 Amps)
14	Engine radiator fan	M (25 Amps)
15	Horns	A (20 Amps)

FUSE NUMBER	PROTECTED CIRCUITS	FUSE POSITION
16	Fuel injectors cooling fan and relay switch winding	B (10 Amps)
17	Back window defogger and indicator lamp	C (20 Amps)
18	A/C condenser fan (where fitted)	D (25 Amps)
19	A/C compressor switch	F (25 Amps)
20	Fasten seat belts indicator lamp delayer; A/C compressor clutch relay switch winding; fasten belts relay switch winding	T (7.5 Amps)
21	Electronic fuel injection and fuel pump	G (10 Amps)
22	Electronic fuel injection system	W (7.5 Amps)
23	Power windows	N (25 Amps)