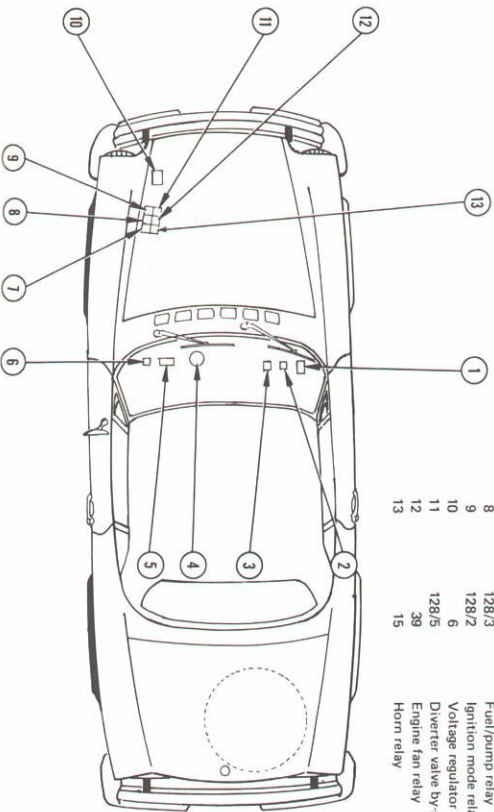


1976 124 SPIDER RELAY LOCATION

CHART COMPONENT NO. DESCRIPTION

1	189	Seat belt warning delay switch
2	128/1	Fasten belts relay
3	126	Fasten belts and remove key buzzer
4	30	Turn signal flasher
5	31	Windshield wiper intermittent switch
6	32	Hazard warning flasher
7	128	Battery charge relay
8	128/3	Fuel/pump relay
9	128/2	Ignition mode relay
10	6	Voltage regulator
11	128/5	Diverter valve by-pass relay
12	39	Engine fan relay
13	15	Horn relay



KEY TO 1976 124 SPIDER WIRING DIAGRAMS

1	Left headlight	59	Clock
2	Left front parking light	61	Fuel reserve indicator
3	Left front side marker light	63	Low oil pressure indicator
5	Alternator	64	Turn signal indicator
6	Regulator	65/1	Hazard warning indicator
9	Distributor	65/2	Brake system effectiveness and hand brake ON indicator
10	Coil	65/3	Fasten belts indicator
12	Starter motor	65/4	25,000 miles EGR indicator
15	Horn relay	65/5	25,000 miles CATALYST indicator
17	Engine water temperature gauge sending unit	65/6	Catalytic converter temperature SLOW DOWN indicator
18	Oil pressure gauge sending unit	66	Battery charge indicator
18/1	Low oil pressure indicator sending unit	67	Parking light indicator
18/2	Engine water temperature gauge thermostatic switch	69	High beam indicator
18/3	Brake system effectiveness indicator switch	74	Cigarette lighter
18/4	Thermostatic switch for ignition mode relay	76	Hand brake ON switch
18/5	Idle stop solenoid switch (Calif. version only)	79	Horn button
18/6	Thermostatic switch for diverter valve by-pass system	81	Current receptacle
23	Battery	84	Washer pump motor
24	Catalytic converter thermocouple	85	Courtesy light with switch
25	Back-up lights and 5th gear switch	87	Courtesy light jamb switch
26	Stop lights switch	87/1	Remove key buzzer jamb switch
28	Fuse box	93	Fuel tank sending unit
28/1	Fuse, 25A	95	Trunk light
28/2	In-line fuse, 3A-remove key buzzer system	98	Tail, turn signal, stop and back-up lights unit
28/3	In-line fuse, 16A - Interior lights, hazard warning system, clock and cigarette lighter	98/1	Rear side marker lights
28/4	In-line fuse, 8A - fuel pump and ignition mode	99	License plate lights
30	Turn signal flasher	104	Thermostatic switch for engine cooling fan
31	Windshield wiper intermittent switch	120	Fuel pump
32	Hazard warning flasher	126	Fasten belts and remove key buzzer
33	Water temperature gauge resistor (32 OHM)	128	Battery charge relay
35	Windshield wiper motor	128/1	Fasten belts relay
37	Heater fan motor	128/2	Ignition mode relay
37/1	Engine fan motor	128/3	Fuel pump and ignition mode relay
39	Engine fan motor relay	128/5	Diverter valve by-pass relay
40	Instruments lights rheostat switch	130	Horn compressor
40/1	Ideogram lighting potentiometer	158	Idle stop solenoid
41/1	Windshield wiper 2-speed switch	161	Ideogram light
42	Turn signal switch	186	Odometer switch (25,000 M recorder)
42/1	High/low beam changeover switch	187	Tachimetric switch
42/2	Windshield wiper/washer switch	188	Catalytic converter temperature
44	Ignition switch	189	Seat belt warning delay switch
46	Outer lighting switch	190	Fast idle electrovalve
49	Heater fan switch	190/1	Diverter valve by-pass control valve
50	Hazard warning signal switch with light	190/2	EGR by-pass electrovalve
51	Speedometer	191	Button switch on clutch for fast idle
53	Oil pressure gauge	192	Button switch on transmission for fast idle
54	Water temperature gauge	193	Fast idle system pushbutton switch
56	Tachometer	194	Button switch on driver's seat belt
57	Fuel gauge	194/2	Gear engaged button switch

WIRE COLOR CODE

B - Black	Bl/R - Blue/Red	P/B - Pink/Black
Bl - Blue	Br/B - Brown/Black	P/G - Pink/Gray
Br - Brown	Br/W - Brown/White	P/Y - Pink/Yellow
G - Gray	G/B - Gray/Black	R/B - Red/Black
Gr - Green	G/R - Gray/Red	R/Gr - Red/Green
LB - Light Blue	GY/ - Gray/Yellow	R/V - Red/Violet
O - Orange	Gr/B - Green/Black	V/B - Violet/Black
P - Pink	Br/W - Green/White	V/W - Violet/White
R - Red	LB/B - Light Blue/Black	W/B - White/Black
V - Violet	LB/R - Light Blue/Red	W/R - White/Red
W - White	LB/Y - Light Blue/Yellow	Y/B - Yellow/Black
Y - Yellow	LB/W - Light Blue/White	Y/R - Yellow/Red
B/V - Black/Violet	O/W - Orange/White	

