



a mirafiori.com guide

**Weber DFH Carburetor
Reference Guide
Brad Artigue**

Weber DFH

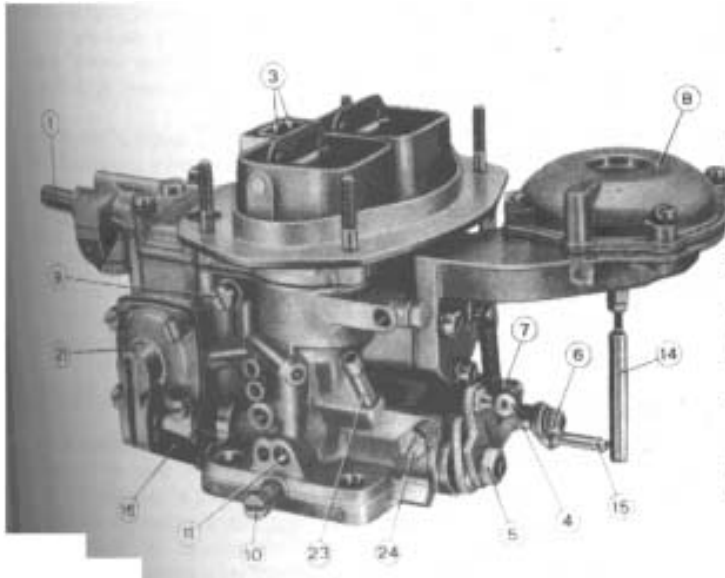


FIG.3.3. THE 34 DFH, 34 DFH/4 CARBURETTOR AS SEEN FROM THE ACCELERATOR PUMP SIDE

- | | |
|---|-------------------------------------|
| 1 Fuel line | 10 Idling jet adjusting screw |
| 3 Air corrector jets | 11 Progression holes |
| 4 Differential throttle opening lever | 14 Diaphragm device rod |
| 5 Primary throttle spindle | 15 Secondary throttle control lever |
| 6 Secondary throttle spindle | 16 Accelerator pump lever |
| 7 Secondary throttle differential opening control lever | 21 Accelerator pump |
| 8 Diaphragm device | 23 Crankcase gas suction connection |
| 9 Idling jet | 24 Slow-running adjustment screw |

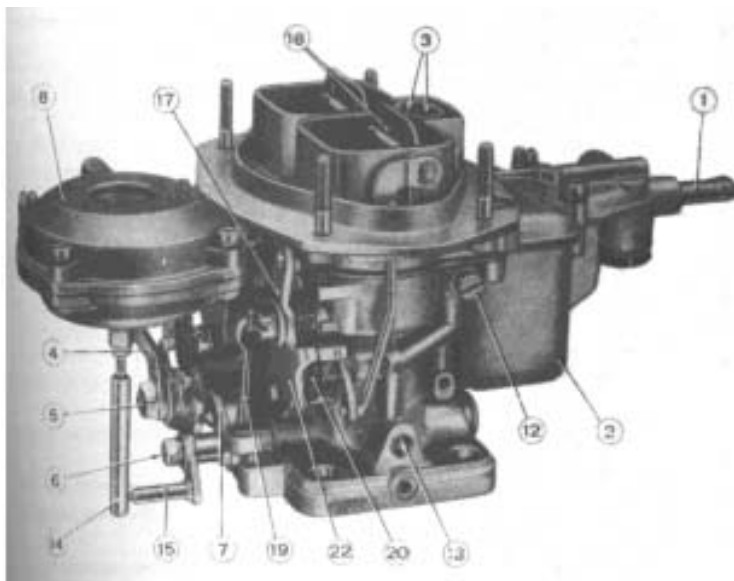


FIG.3.2. THE 34 DFH, 34 DFH/4 WEBER CARBURETTOR AS SEEN FROM THE CHOKE CONTROL SIDE

- | | |
|---|---|
| 1 Fuel line connection | 12 Idling jet |
| 2 Float chamber | 13 Progression holes |
| 3 Air corrector jet | 14 Diaphragm device rod |
| 4 Differential throttle control lever | 15 Secondary throttle spindle actuating lever |
| 5 Primary throttle spindle | 17 Choke control lever |
| 6 Secondary throttle spindle | 18 Choke valves |
| 7 Secondary throttle differential control lever | 19 Primary throttle starting link |
| 8 Diaphragm device | 20 Choke valve return spring |
| | 22 Lobe of lever (17) |