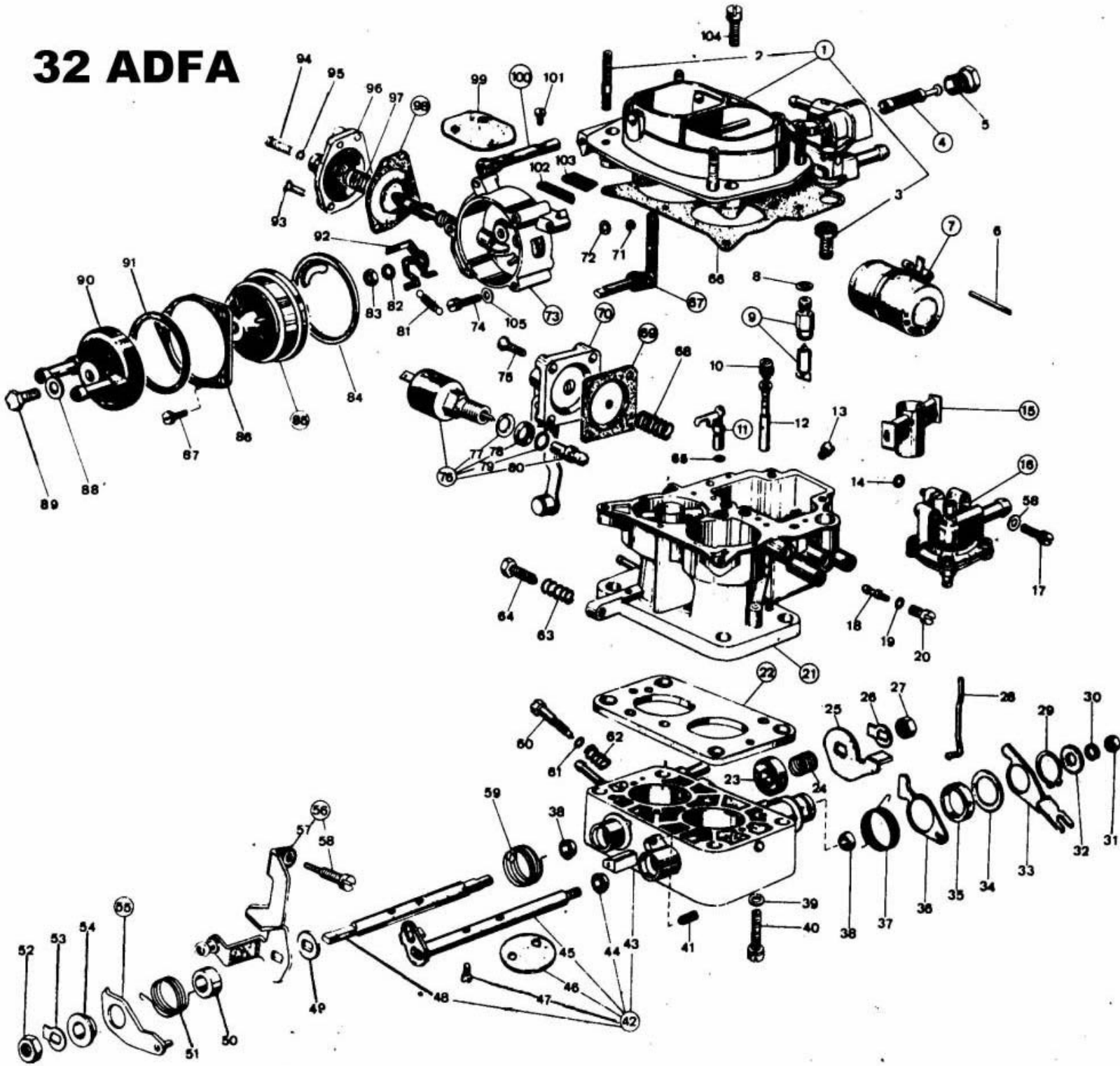


32 ADFA



PARTS LIST

TYPE 32 ADFA

Dia No.	Qty. Req'd	Description	Part Number	Dia No.	Qty. Req'd	Description	Part Number
1	1	Top Cover Assembly	Not Serviced	54	1	Bushing	12775.053
2	4	Top Cover Stud	64955.007	55	1	Lever	45069.030
3	1	Plunger	64372.009	56	1	Lever	45041.116
4	1	Fuel Screen	37022.004	57	1	Screw	64590.010
5	1	Plug	61002.019	58	2	Washer	Not Serviced
6	1	Float Pin	52000.015	59	1	Spring	47610.091
7	1	Brass Float	41015.004	60	1	Screw	64755.016
8	1	Needle Valve Gasket	83102.070	61	1	O-Ring	41565.010
9	1	Needle & Seat	79510.*	62	1	Spring	47600.095
10	2	Air Corrector Jet	77201.*	63	1	Spring	47600.007
11	1	Pump Jet	76407.*	64	1	Throttle Stop Screw	64625.012
12	2	Emulsion Tube	61440.*	65	1	O-Ring	41565.001
13	2	Main Jet	73801.*	66	1	Top Cover Gasket	41705.049
14	1	O-Ring	41565.008	67	1	Shaft	10085.042
15	2	Auxiliary Venturi	70512.*	68	1	Pump Loading Spring	47600.092
16	1	Capsule	31800.027	69	1	Diaphragm	47407.118
17	2	Screw	64700.010	70	1	Accelerator Pump Cover	32486.069
18	1	Idle Jet	74403.*	71	1	Spring Ring	10140.501
19	1	O-Ring For Idle Jet Holder	41565.002	72	1	O-Ring	41565.008
20	1	Idle Jet Holder	52570.006	73	1	Housing	Not Serviced
21	1	Carburetor Body	Not Serviced	74	2	Top Cover Screw	64695.021
22	1	Base Spacer Gasket	39152.015	75	4	Screw	64565.001
23	1	Shaft Bushing	50002.008	76	1	ICU Solenoid	43928.060
24	1	Bush Retaining Spring	47600.027	77	1	Washer	55530.016
25	1	Cam	14850.102	78	1	Plate	58000.019
26	1	Shaft Lock Tab	55520.004	79	1	O-Ring	41565.001
27	1	Throttle Spindle Nut	34710.003	80	1	Idle Jet	74409.*
28	1	Rod	61280.115	81	1	Spring	47605.019
29	1	Spring Ring	10140.304	82	1	Washer	55530.013
30	1	Spring Washer	55525.001	83	1	Nut	34715.016
31	1	Nut	34705.001	84	1	Auto Choke Body Gasket	41640.052
32	1	Washer	55510.081	85	1	Water Choke Element	Not Serviced
33	1	Lever	45067.048	86	1	Choke Lock Ring	52135.029
34	1	Washer	55530.014	87	3	Screw	64615.005
35	1	Bushing	12750.103	88	1	Gasket	41530.002
36	1	Lever	45067.047	89	1	Screw	64610.008
37	1	Spring	47610.102	90	1	Water Choke Cover	32444.011
38	2	Bushing	41575.010	91	1	Water Cover Gasket	41555.001
39	2	Lock Washer	55510.034	92	1	Choke Actuating Lever	45046.037
40	2	Screw	64700.016	93	3	Screw	64560.004
41	1	Screw	64595.013	94	1	Screw	64895.010
42	1	Carburetor Base Assembly	Not Serviced	95	1	O-Ring	41565.010
43	1	Carburetor Base	Not Serviced	96	1	Screw	32384.039
44	1	Bushing	41575.010	97	1	Pump Loading Spring	47600.092
45	1	Secondary Throttle Shaft	10015.273	98	1	Diaphragm	Not Serviced
46	2	Throttle Valve	64005.090	99	1	Throttle Valve	64010.034
47	4	Screw	64520.027	100	1	Shaft	10015.274
48	1	Primary Throttle Shaft	10000.264	101	2	Choke Plate Fixing Screw	64525.003
49	1	Shaft Spacer	55555.019	102	1	Dust Seal Plug	61070.002
50	1	Spacer	12750.097	103	1	Dust Seal Plate	52135.018
51	1	Spring	47610.092	104	6	Top Cover Fixing Screw	64700.005
52	1	Nut	34715.014	105	2	Carb Washer	55510.034
53	1	Shaft Lock Tab	55520.002				
						*Calibrated Parts Require 3 Digits To	
						Complete Part Number	
	3/30/01					See Calibrated Parts Section For Sizes	