

FIAT SPIDER 2000 1980-1982

Wiring Diagrams

Bradley Artigue

2nd Edition

Contents

- 1 WINDSHIELD WASHER/WIPER, HEATER, HORN, AND CIGARETTE LIGHTER CIRCUITS
- 2 POWER WINDOWS AND RADIO CIRCUITS
- 3 PARKING, LICENSE PLATE, SIDE MARKER, PANEL LIGHTS
- 4 HAZARD AND TURN SIGNAL, BACK-UP AND STOP LIGHTS CIRCUITS
- 5 HIGH AND LOW BEAMS CIRCUITS
- 6 IGNITION, STARTER, ALTERNATOR, ENGINE COOLING FAN, POWER DISTRIBUTION CIRCUITS
- 7 AUTOMATIC TRANSMISSION STARTER CIRCUIT
- 8 FUEL INJECTION SYSTEM CIRCUITS
- 9 FUEL INJECTION SYSTEM CIRCUITS (ABRIDGED)
- 10 INSTRUMENTS, INDICATORS, SEAT BELTS AND REMOVE KEY WARNINGS, COURTESY LIGHT, CLOCK, AND SOCKET CIRCUITS
- 11 COMPONENT LIST
- 14 CONNECTOR LIST

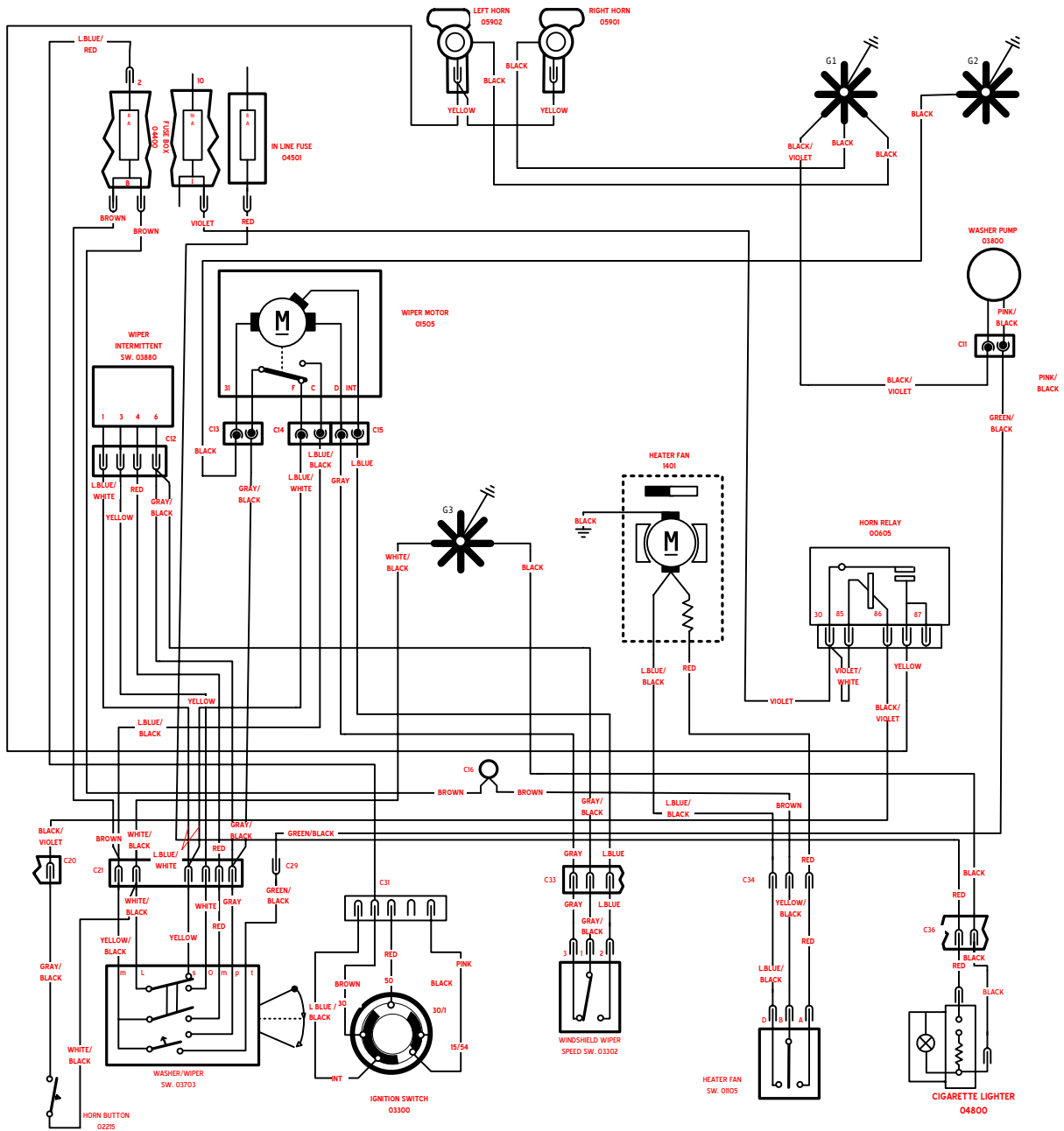
Note: This document covers the 1980 124 CSO (Fuel Injected) Spider; the 1980 124 CS2 (Carbureted) Spider is covered in the 1979-1980 Wiring Diagram document.

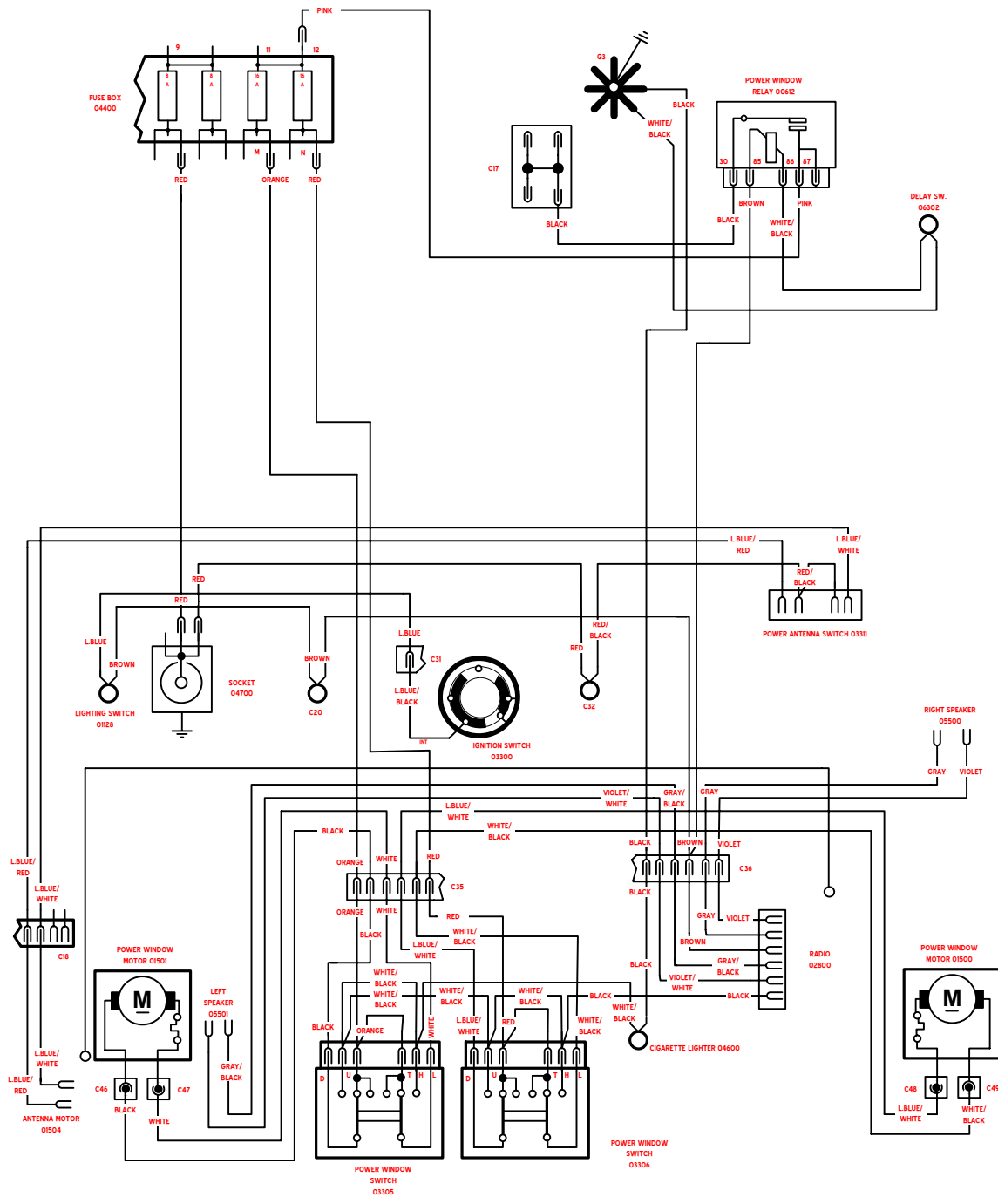
The diagrams in this document are entirely vector-based. This means that they can be scaled to virtually any size and printed from computers that run Adobe Acrobat. This includes Windows, Macintosh, UNIX, and Linux. The quality of the images will not degrade upon scaling and the file format is supported by most office printing facilities (such as Kinko's). The drawings have been printed as large as 60 inches tall (5 feet) by the author on a Hewlett-Packard Designjet plotter with fantastic results.

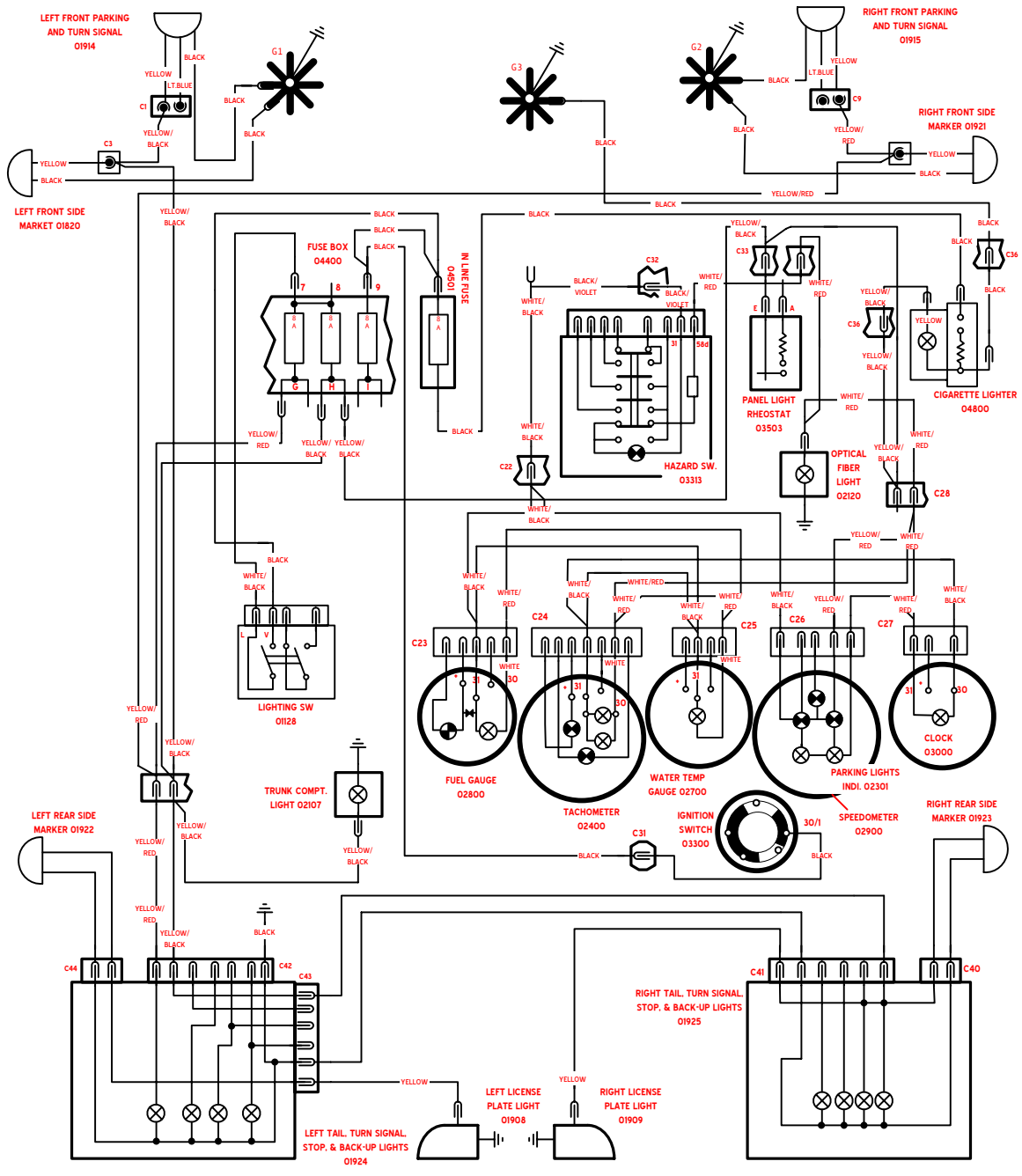
If you find errors in these documents or wish to provide comments please email brad@artigue.com. This document was released in February of 2008.

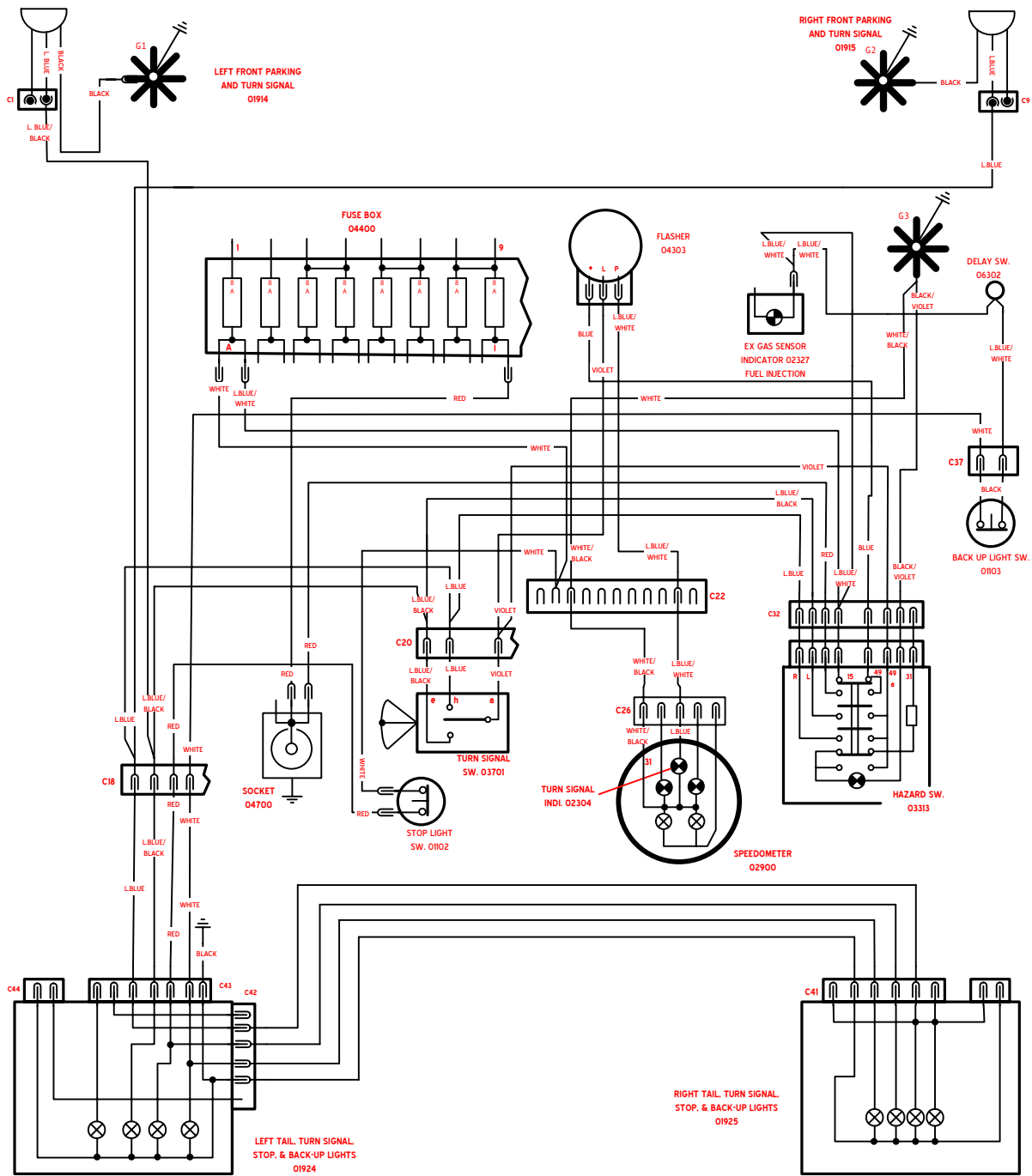
Mirafiori is a FIAT enthusiast resource and online forum that has been operating since 1993. <http://www.mirafiori.com>

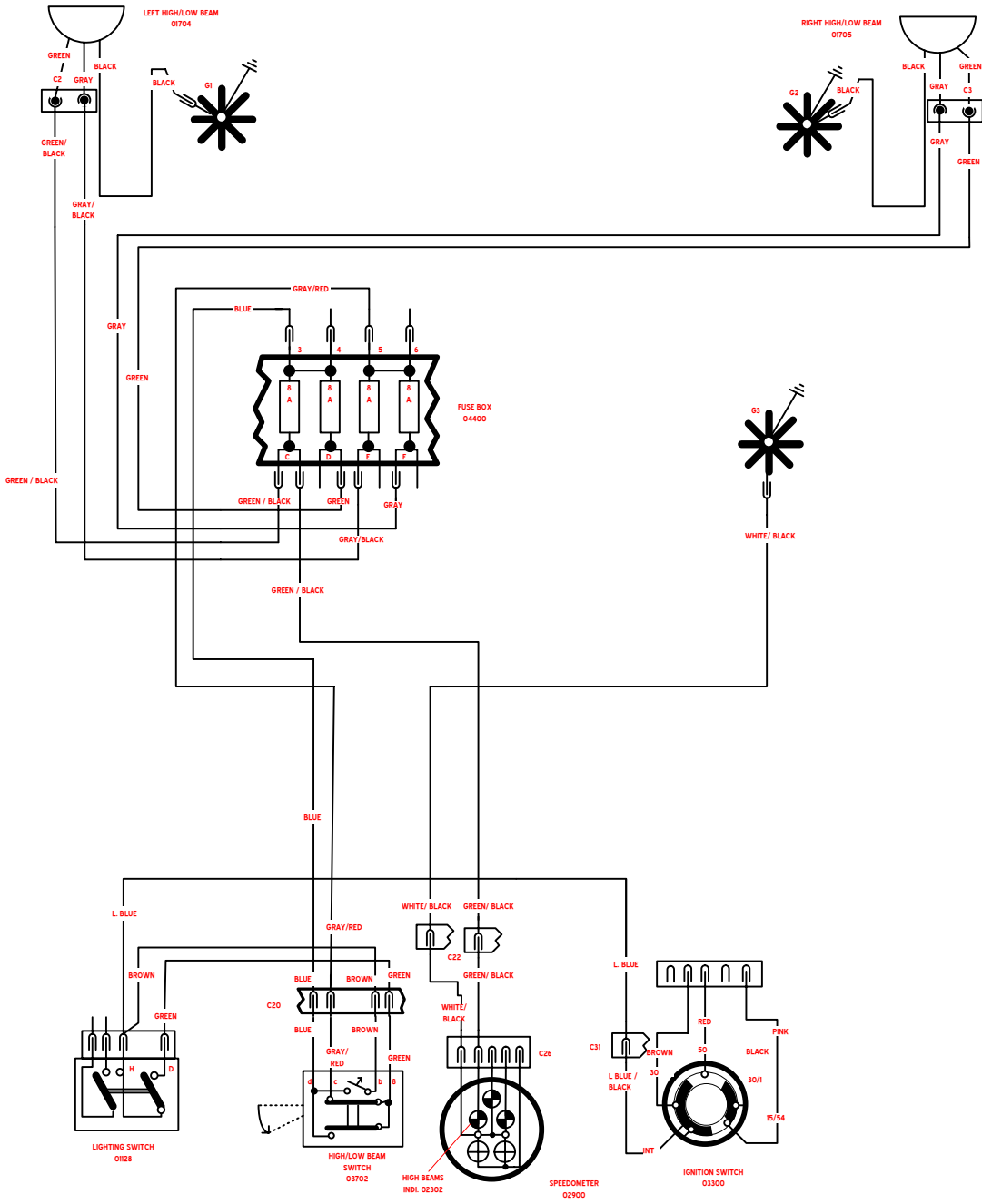
The online home for this document is at <http://www.artigue.com/fiat>.

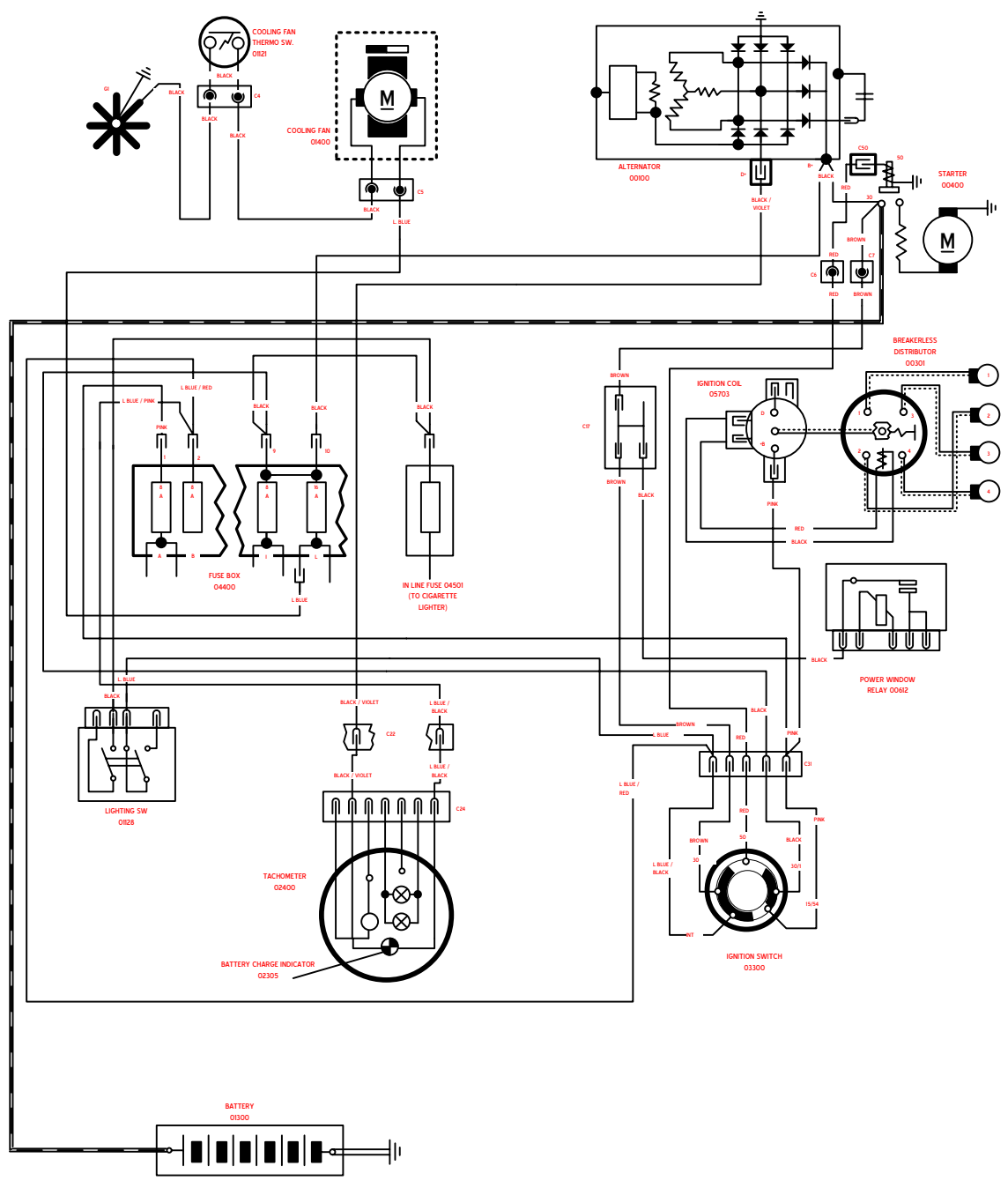


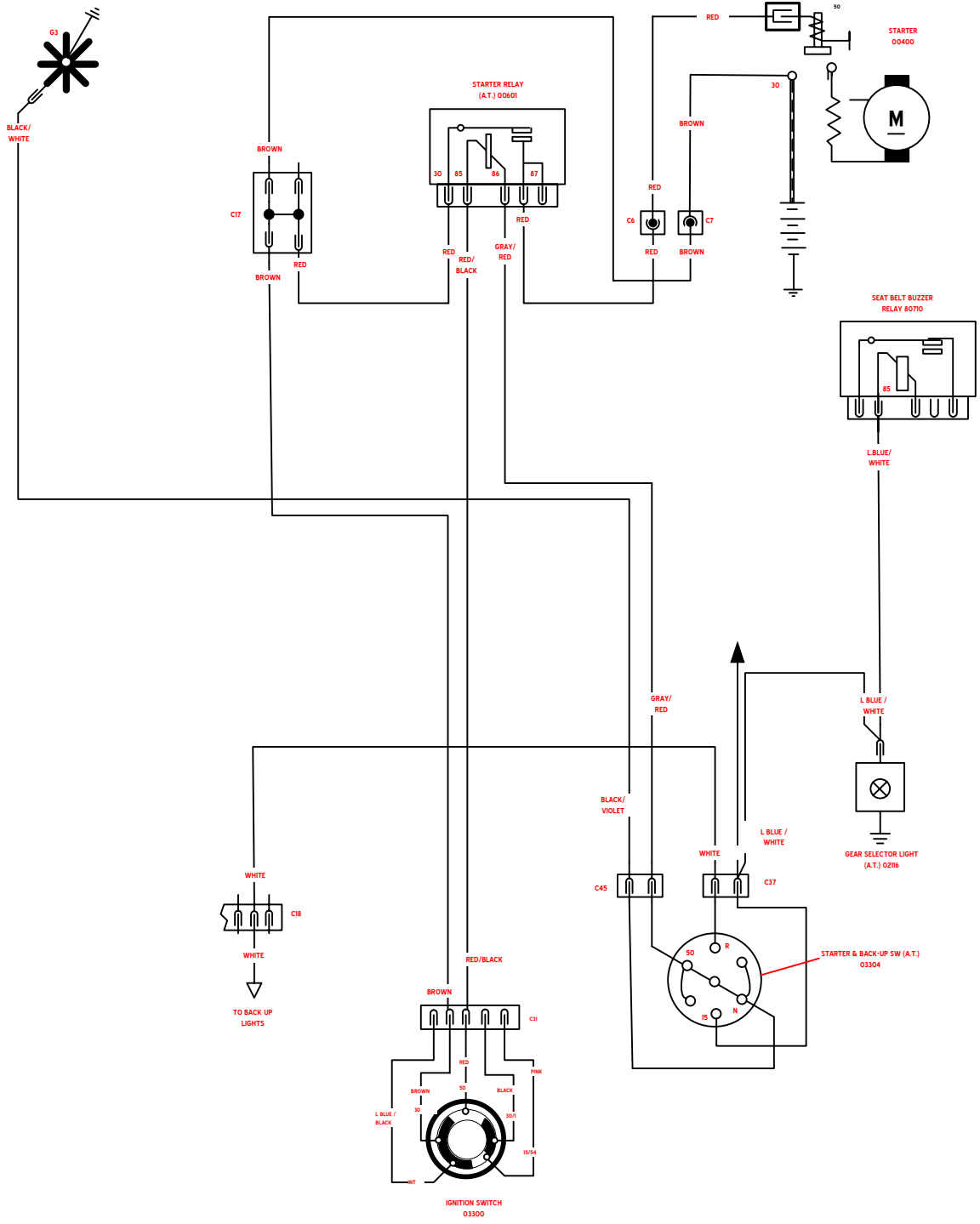


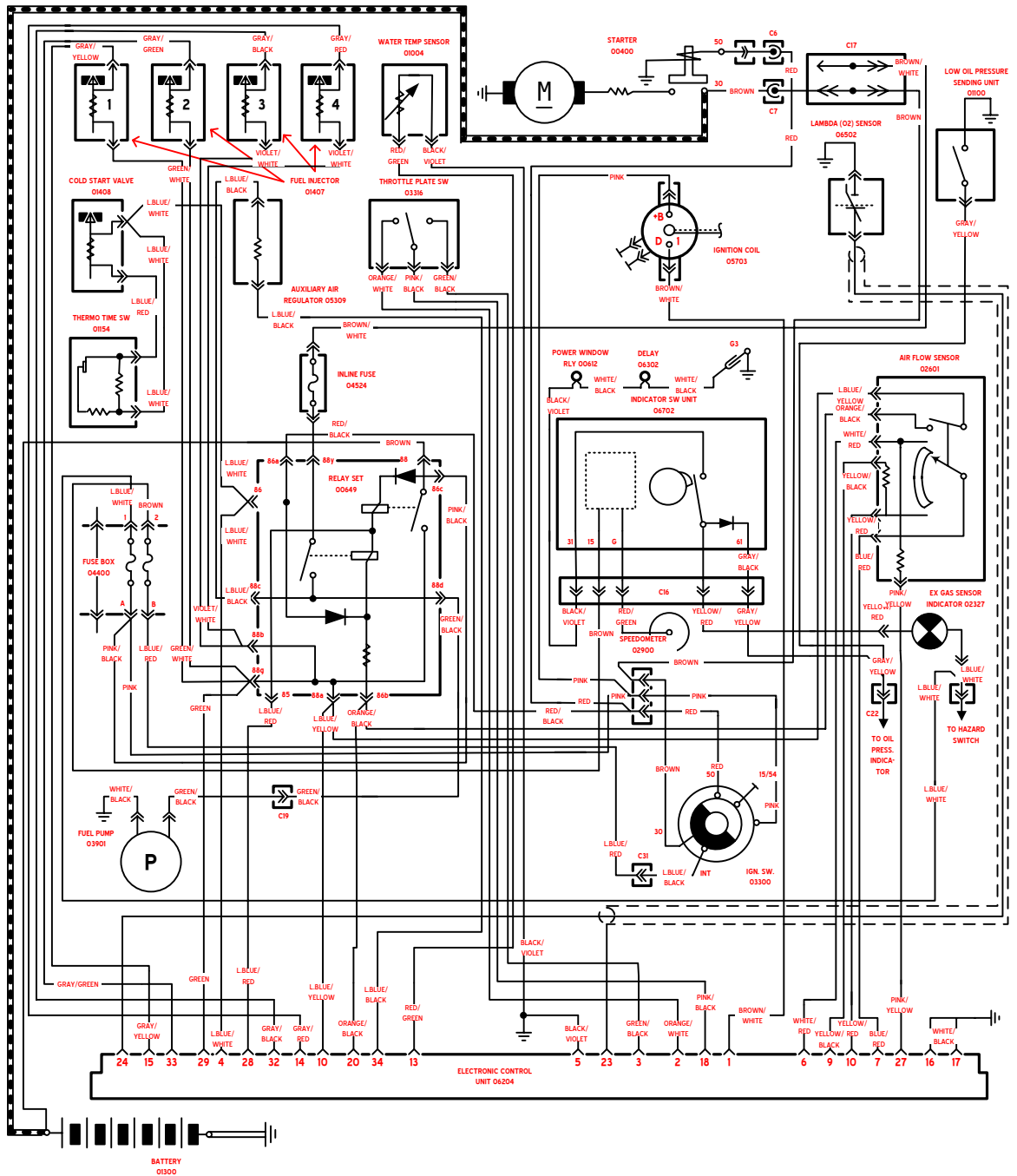


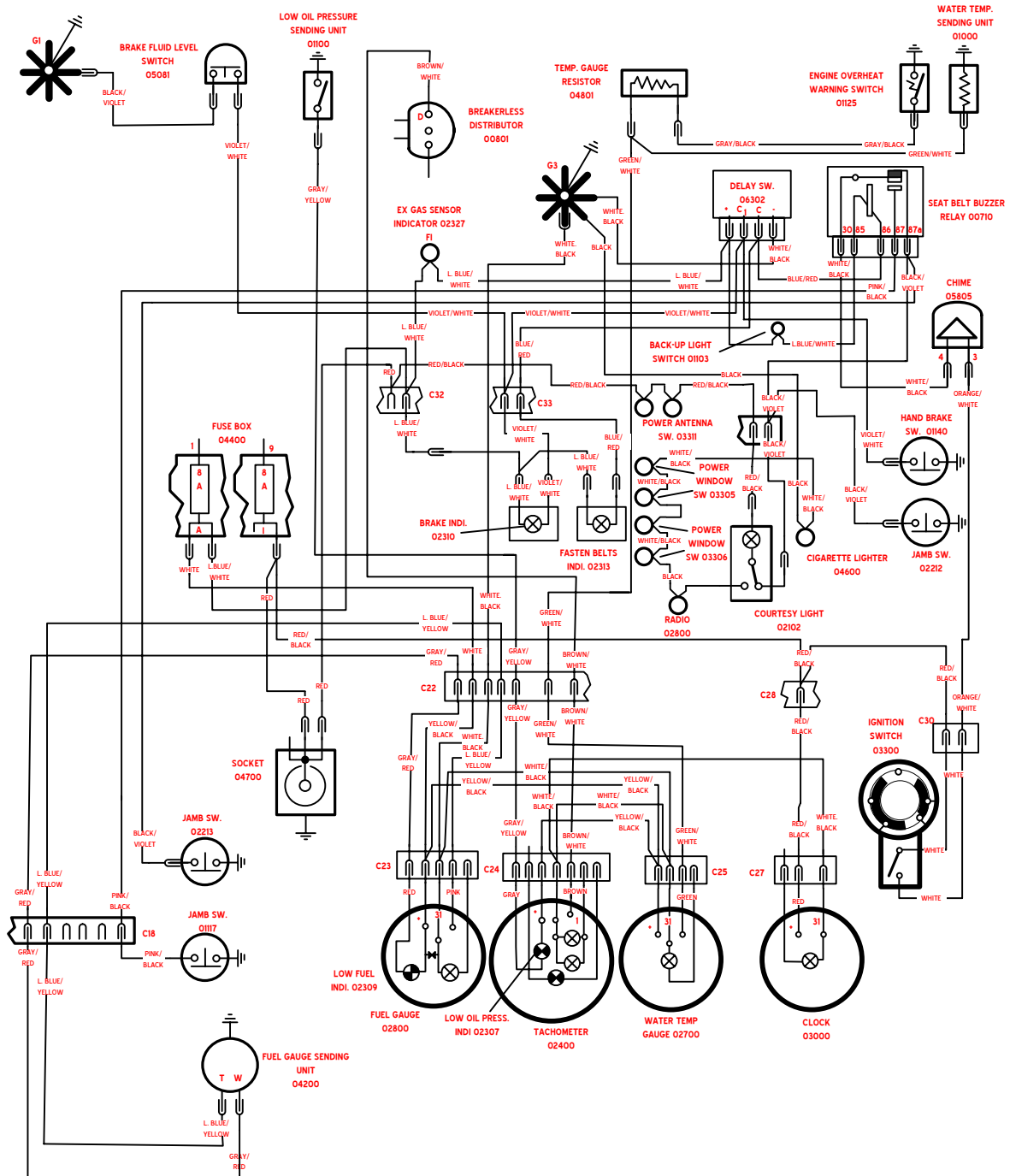












Component	Description
00100	Alternator w/electronic regulator
00400	Starter
00601	Starter relay (automatic transmission)
00612	Power windows relay
00605	Horn relay
00649	Relay set
00710	Seat belt buzzer relay
00801	Breakerless ignition distributor
01000	Engine water temperature gauge sending unit
01004	Coolant temperature sensor
01100	Low oil pressure indicator sending switch
01102	Stop light switch
01103	Back-up light switch
01105	Heater fan switch
01117	Switch, on driver's seat belt
01121	Cooling fan thermostatic switch
01125	Engine overheat warning switch
01128	Lighting switch
01140	Hand brake "ON" switch
01154	Thermo time switch
01300	Battery
01400	Cooling fan motor
01401	Heater fan motor
01407	Fuel injector
01408	Cold start valve
01500	Power window motor
01501	Power window motor
01504	Antenna motor
01505	Windshield wiper motor
01704	Left low beam
01705	Right low beam
01908	Left license plate light
01909	Right license plate light
01914	Left front parking and turn signal light
01915	Right front parking and turn signal light
01920	Left front side marker light
01921	Right front side marker light
01922	Left rear side marker light
01923	Right rear side marker light
01924	Left tail, turn signal, stop and back-up light
01925	Right tail, turn signal, stop and back-up light
02102	Passenger compartment light - with switch on dashboard
02107	Trunk compartment light
02120	Optical fiber illumination light source
02212	Courtesy light jamb switch - right door
02213	Courtesy light jamb switch - left door
02215	Horn button

Component	Description
02301	Parking lights indicator
02302	High beams indicator
02304	Turn signal indicator
02305	Battery charge indicator
02307	Low oil pressure indicator
02309	Low fuel indicator
02310	Brake system effectiveness indicator
02313	Fasten seat belts indicator
02327	Lambda sensor maintenance indicator
02400	Tachometer
02600	Fuel gauge
02601	Air flow sensor
02700	Engine water temperature gauge
02800	Radio
02900	Speedometer
03000	Clock
03300	Steering lock ignition switch
03302	Windshield wipers speed switch
03304	Starter and back-up light switch (automatic transmission)
03305	Power window switch
03306	Power window switch
03311	Power antenna switch
03313	Hazard warning signal switch and indicator
03316	Throttle plate switch
03503	Ideogram light rheostat
03701	Turn signal switch
03702	High/low beams changeover switch
03703	Wiper/washer switch
03800	Windshield wiper intermittent switch
03900	Windshield washer pump
03901	Electrical fuel pump
04200	Fuelgaugesendingunit
04303	Turn signal and hazard flasher
04400	Fuse box
04501	In-line fuse for cigarette lighter
04524	In-line fuse for fuel injection (16A)
04600	Cigarette lighter
04700	Electrical sockets
04801	Water temperature gauge indicator resistor
05001	Brake fluid level switch
05005	Fasten seat belts and remove key chime

Component	Description
05309	Auxiliary air regulator
05500	Right radio speaker
05501	Left radio speaker
05703	Ignition coil assembly
05901	Right horn
05902	Left horn
06204	Electronic control unit
06302	Delay switch – seat belt indicator
06602	Lambda sensor
06702	Lambda sensor indicator switch unit

Connector	Pins	Description
C1	2	Paring and turn signal – left front parking lights
C2	2	High/low beams – left front headlights
C3	1	Power for left front side marker light
C4	2	Cooling fan thermostatic switch
C5	2	Cooling fan
C6	1	Power to starter solenoid
C7	1	Power to starter motor
C8	2	High/low beams – right front headlights
C9	2	Parking and turn signal – right front turn signal
C10	1	Power for right front side marker light
C11	2	Windshield washer pump
C12	4	Windshield wiper intermittent switch
C13	2	Windshield wiper motor
C14	2	Windshield wiper motor
C15	2	Windshield wiper motor
C16	5	Lambda sensor indicator switch unit
C17	4	Power distribution connector
C18	11	Rear lights, driver's seat belt switch, power antenna motor, fuel tank sending unit, and trunk compartment light
C19	1	Power to electric fuel pump
C20	8	Turn signal switch, high/low beam switch, and horn button
C21	6	Horn button and windshield washer/wiper switch
C22	11	Instrument Cluster
C23	5	Instrument Cluster
C24	7	Instrument Cluster
C25	4	Instrument Cluster
C26	5	Instrument Cluster
C27	3	Instrument Cluster
C28	3	Instrument Cluster
C29	1	Windshield washer switch
C30	2	Remove key switch t ignition switch
C31	5	Ignition switch
C32	7	Hazard switch
C33	7	Windshield wiper speed switch, panel light rheostat, brake system effectiveness indicator, and fasten belts indicator
C34	3	Heater motor
C35	8	Power windows and courtesy light
C36	8	Radio, and cigarette lighter
C37	2	Back-up light switch
C38	1	Cigarette Lighter
C39	1	Cigarette Lighter
C40	2	Right rear parking and side marker lights
C41	6	Right rear parking and side marker lights
C42	6	Connector for right rear lights at left rear parking light
C43	7	Left rear parking and side marker lights
C44	2	Left rear parking and side marker lights
C45	2	Starter and back-up light switch (Auto. Trans)
C46	1	Left power window motor
C47	1	Left power window motor
C48	1	Right power window motor
C49	1	Right power window motor