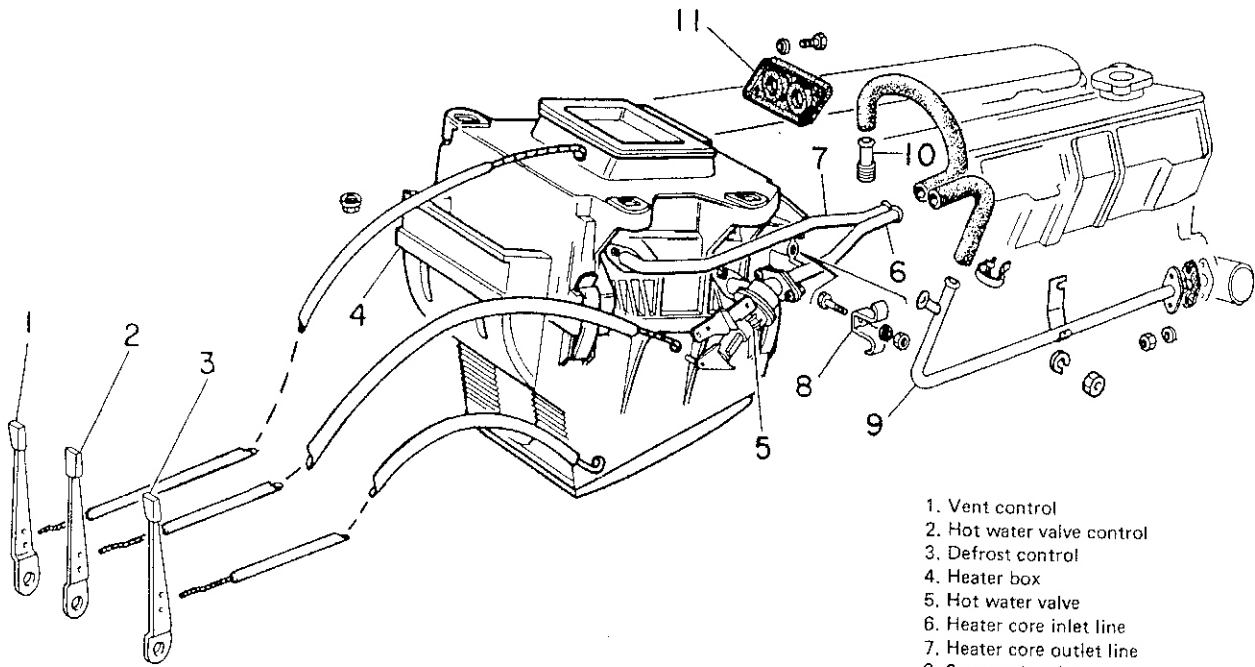

ACCESSORIES - 50

PARTS CATALOG,
SERVICE MANUAL &
SERVICE TIME
SCHEDULE CODE

		PAGE
501.01	Ventilation and Heating	50-1
501.17	Windshield Washer	50-9



1. Vent control
2. Hot water valve control
3. Defrost control
4. Heater box
5. Hot water valve
6. Heater core inlet line
7. Heater core outlet line
8. Support bracket
9. Water pump line
10. Cylinder head inlet fitting
11. Firewall gasket

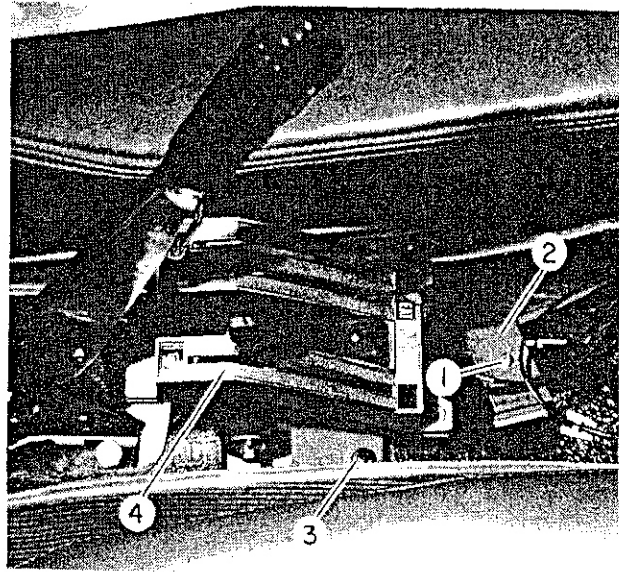
HEAT/VENT/DEFROST ASSEMBLY

Remove screw (1) holding control cables clamp (2).

Pry open clamps on side of transmission hump to release control cables.

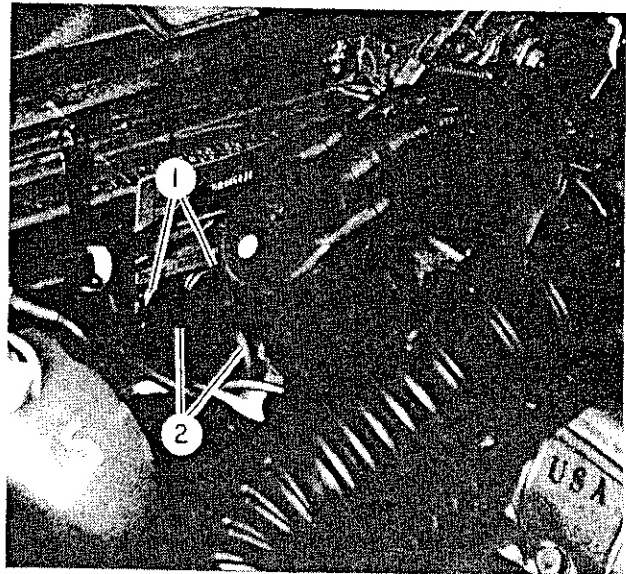
Remove three nuts (3) securing control lever assembly (4) to body.

1. Screw 2. Clamp 3. Nut 4. Control lever assembly



From engine compartment, loosen clamps (1) on two heater hoses (2) at firewall and pull hoses off heater box lines.

1. Clamps 2. Heater hoses



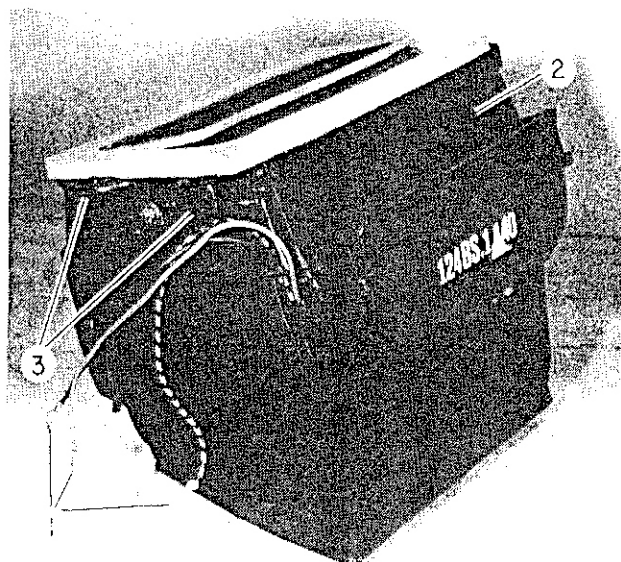
From under instrument panel, remove two screws holding radio rear support bracket to body. Disconnect electrical leads (1).

Remove four nuts holding heater box (2) to body. Lower heater box and carefully withdraw it from under instrument panel.

Installation is reverse of removal.

Refill cooling system and bleed air from system (refer to Engine Section for bleeding procedure).

1. Electrical leads 2. Heater box 3. Mounting lugs

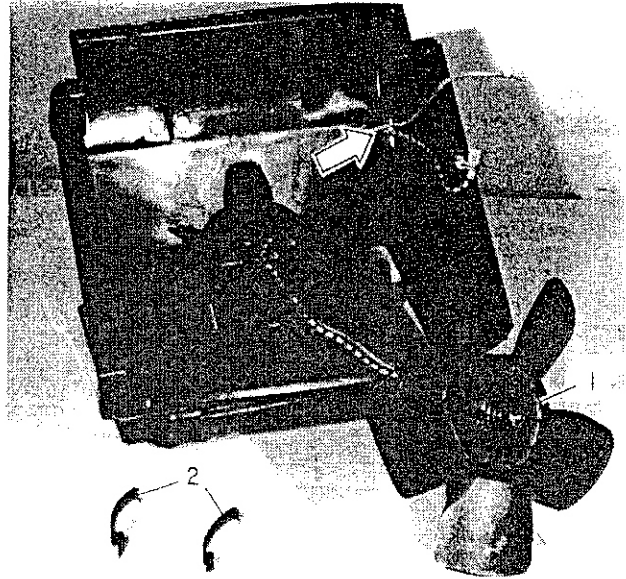


Remove fan shroud by lifting it out.

To remove fan and motor (1), release two clips (2) holding motor to lower half of heater box. While feeding wires thru opening (arrow), lift motor out.

Reassembly is reverse of disassembly.

1. Fan and motor 2. Clip



HEATER BLOWER

REMOVAL AND INSTALLATION

Remove center console. Refer to BODY SECTION.

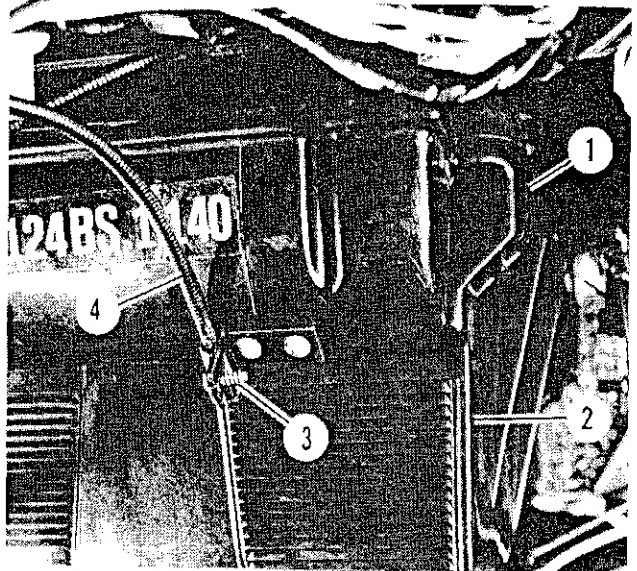
Remove nut securing ground wire for blower to stud above and to left of housing.

Disconnect blower electrical connectors.

Remove screw (3) holding floor door cable (4) to lower half (2) of heater box.

Remove four clips (1) holding lower half (2) to upper half of heater box. Move lower half out to passenger's foot well.

1. Clip 2. Heater box lower half 3. Screw 4. Floor door cable



Push floor door cable housing down to fully open door. Pull white plastic clip back to free cable end. Pull cable end out of door.

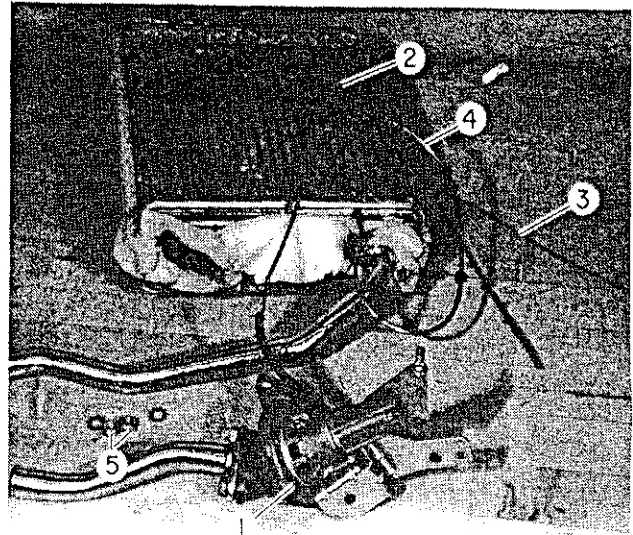
When reconnecting cable, slide cable through door and plastic clip. Push clip up over cable end to secure cable in door.

To remove control valve (1) from core (2), first release sensor line (4) support clip (3). Then remove two nuts (5) holding valve to core.

CAUTION: When installing control valve or outlet line to core be careful not to overtighten nuts. This could damage core.

Installation is reverse of removal.

1. Heater control valve 2. Heater core 3. Support clip 4. Sensor line 5. Nut



HEATER VALVE

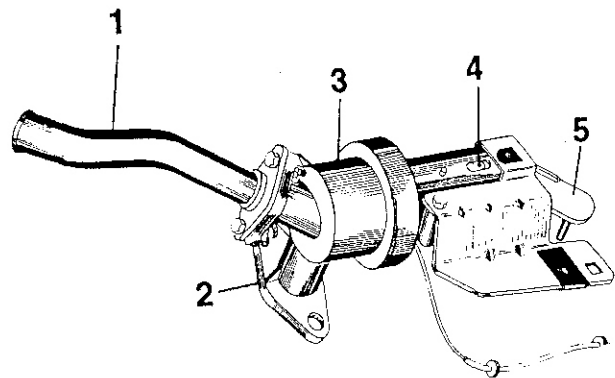
ADJUSTMENT

NOTE: On later versions the heater control valve is adjustable for the full close position. If warm air is coming out of the heater with the heater control off, check heater valve adjustment as follows.

With heater valve removed, make sure lever (5) is in full off position. Blow air through valve (3) and check for air coming out inlet (1). If necessary adjust screw (4) to completely shut off air.

NOTE: Screw (4) can be turned either way to obtain full close position.

1. Inlet 2. Outlet 3. Valve 4. Adjustment screw 5. Lever

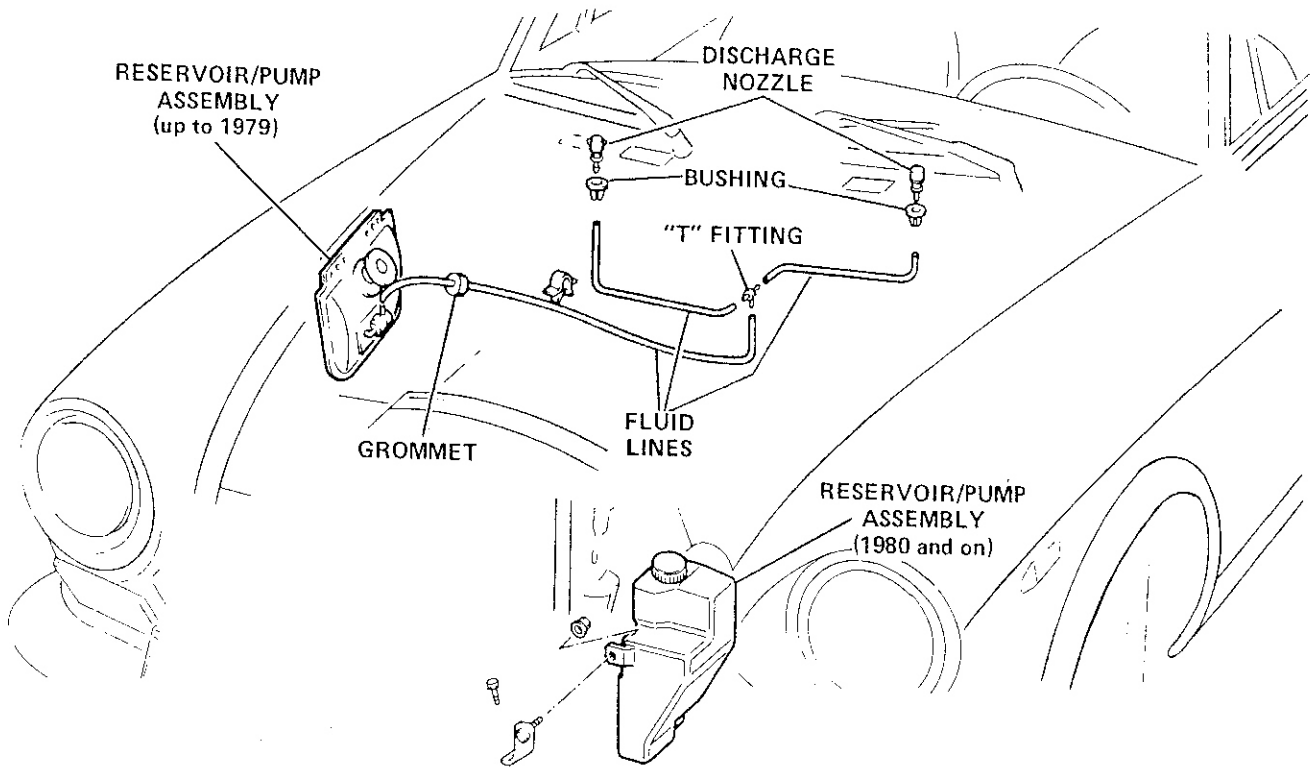


WINDSHIELD WASHER SYSTEM

Fluid pressure for windshield washer system is provided by an electric pump which is an integral part of the reservoir. System failure is usually caused by one of the following:

- Low fluid level
- Clogged discharge nozzles
- Disconnected, clogged or kinked fluid lines
- Electrical circuit failure
- Faulty pump

Discharge stream from nozzles can be adjusted with screwdriver at nozzle.



WINDSHIELD WASHER SYSTEM